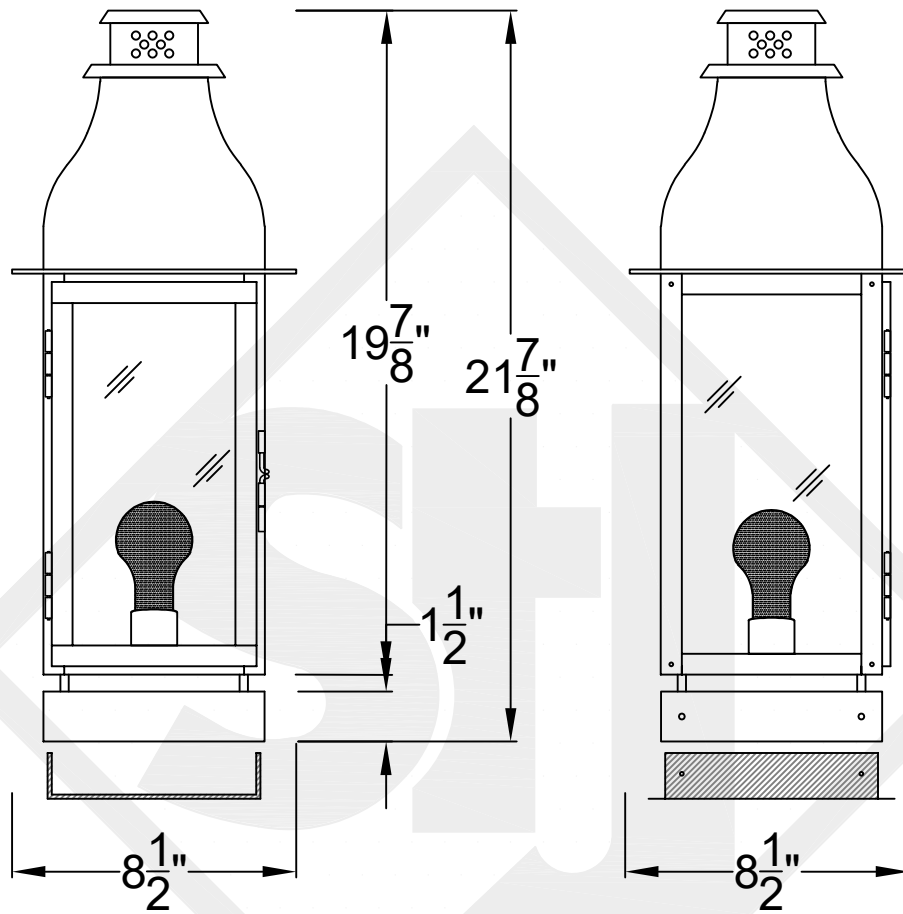
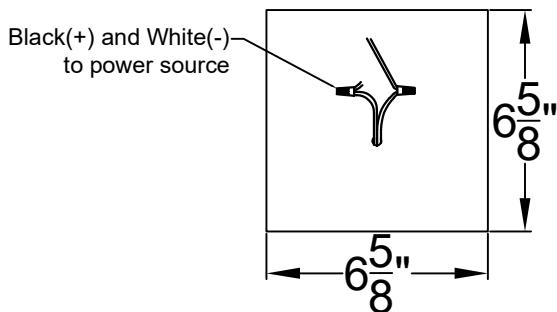


SARASOTA MINI COPPER PIER MOUNT

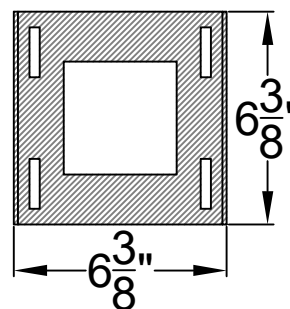


Front View

Side View



Pier Mount



Steel Insert



St. James
LIGHTING

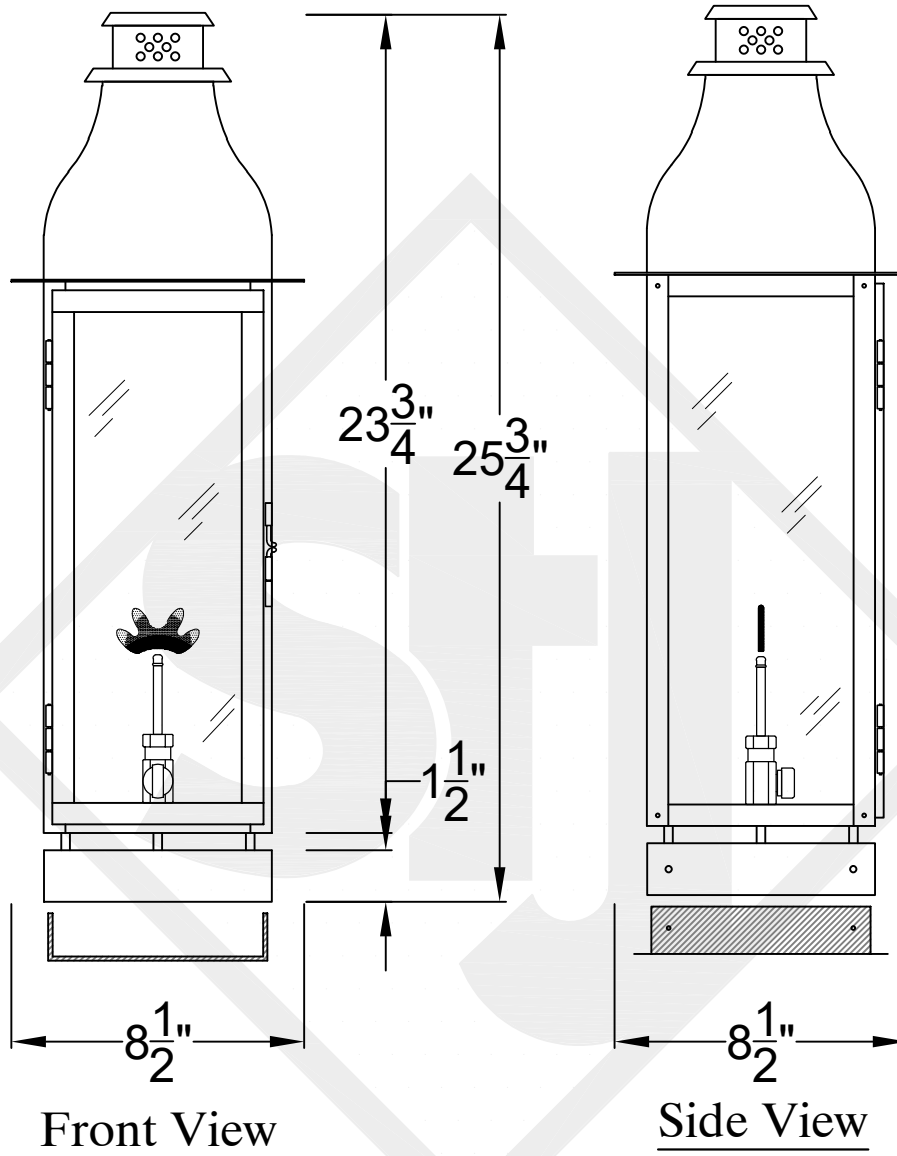
SCALE: N.T.S. DRAFT: Y. McCullough
FILE: SARMINI APP'D: J. Ragan
JOB: X DATE: 11/14/24

Lights are handcrafted.
Dimensions may vary by 1/4"

UL Certified
Candelabra- Max 60 Watt Bulb
Edison- Max 660 Watt Bulb

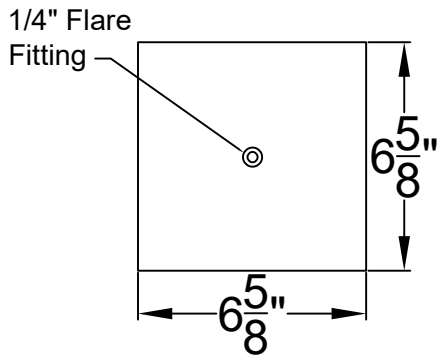
Mini not Available in Gas

SARASOTA SMALL COPPER PIER MOUNT

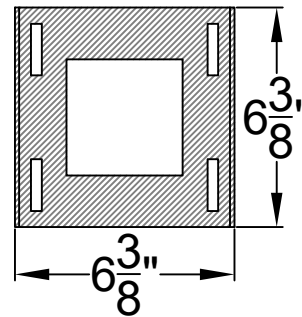


Front View

Side View



Pier Mount



Steel Insert



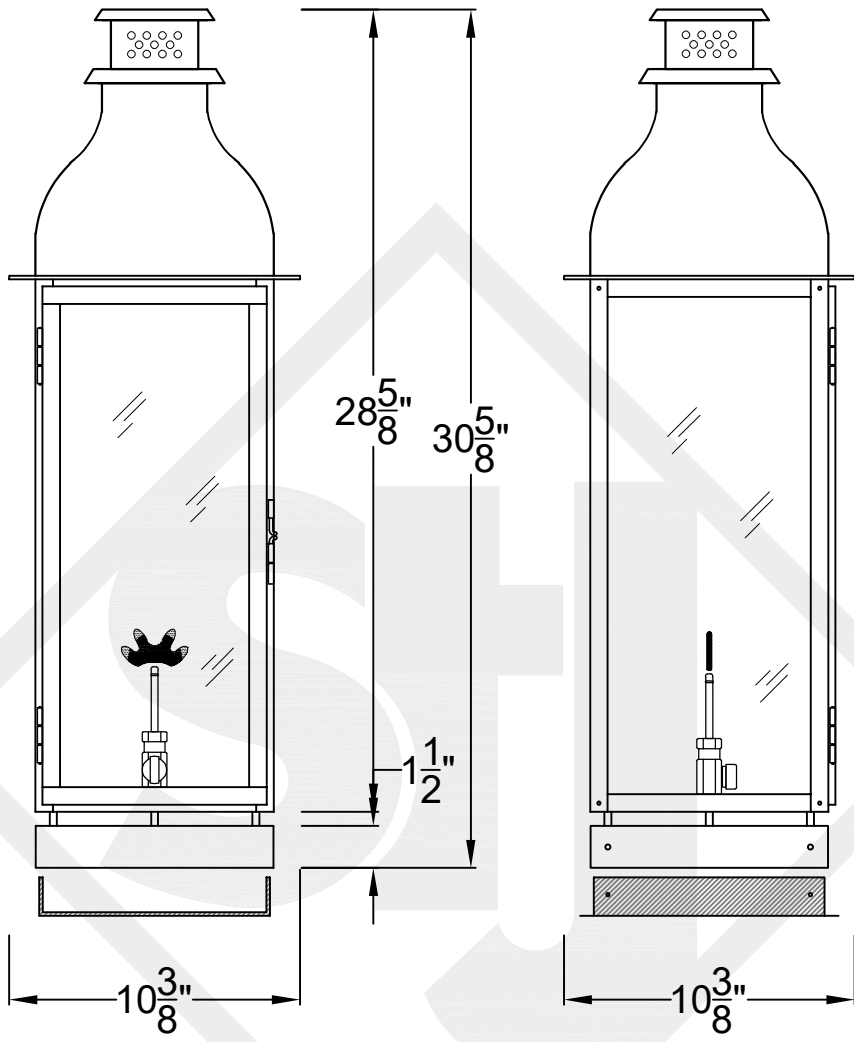
St. James
LIGHTING

SCALE: N.T.S.	DRAFT: Y. McCullough
FILE: SARS	APP'D: J. Ragan
JOB: X	DATE: 11/14/24

Lights are handcrafted.
Dimensions may vary by 1/4"

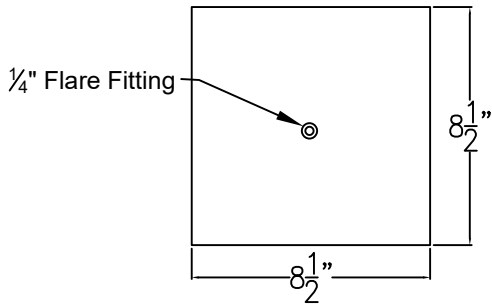
B.T.U. Rating
Natural Gas: 2730 B.T.U.
Propane: 2080 B.T.U.

SARASOTA MEDIUM COPPER PIER MOUNT

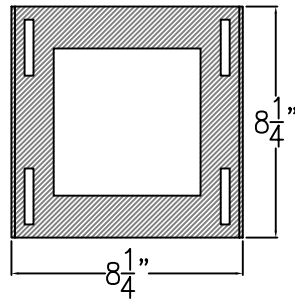


Front View

Side View



Pier Mount



Steel Insert



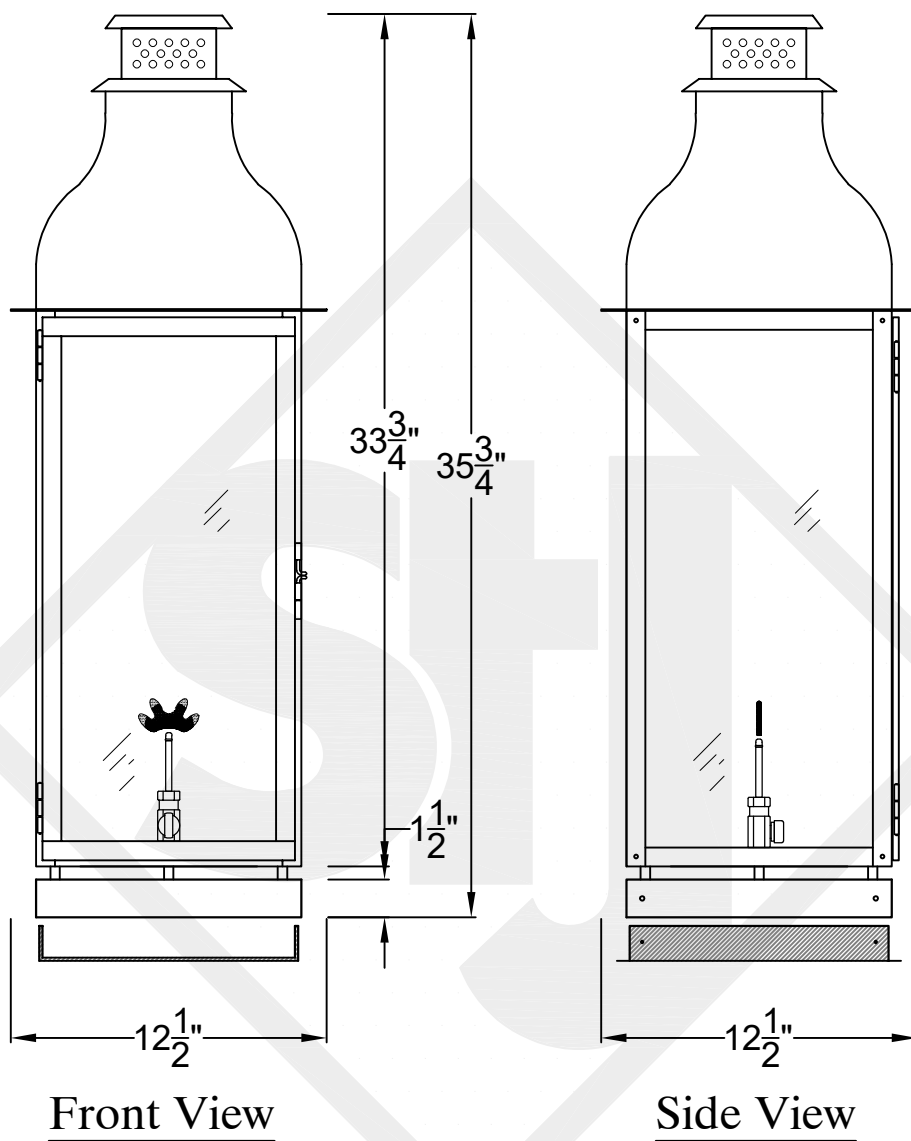
**St. James
LIGHTING**

SCALE: N.T.S. DRAFT: Y. McCullough
FILE: SARM APP'D: J. Ragan
JOB: X DATE: 11/14/24

Lights are handcrafted.
Dimensions may vary by 1/4"

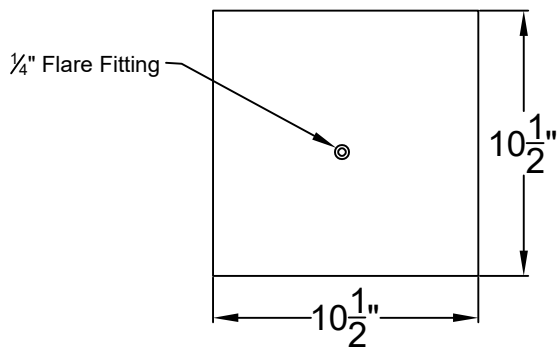
B.T.U. Rating
Natural Gas: 2730 B.T.U.
Propane: 2080 B.T.U.

SARASOTA LARGE COPPER PIER MOUNT

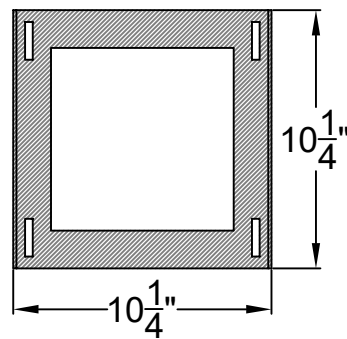


Front View

Side View



Pier Mount



Steel Insert



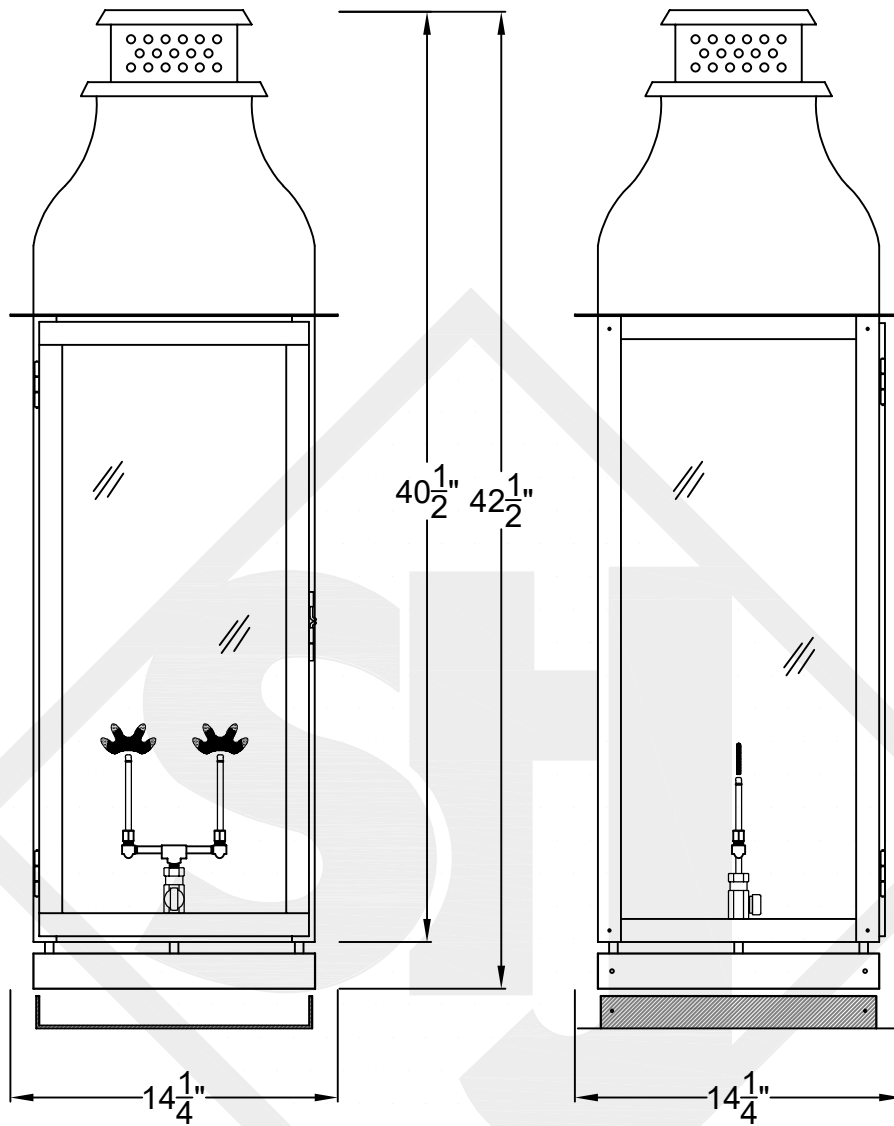
St. James
LIGHTING

SCALE: N.T.S.	DRAFT: Y. McCullough
FILE: SARL	APP'D: J. Ragan
JOB: X	DATE: 11/14/24

Lights are handcrafted.
Dimensions may vary by 1/4"

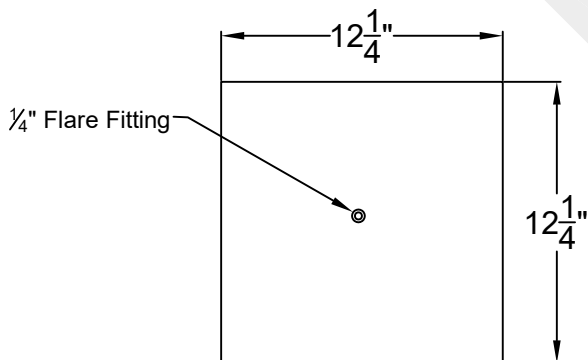
B.T.U. Rating
Natural Gas: 2730 B.T.U.
Propane: 2080 B.T.U.

SARASOTA GRANDE COPPER PIER MOUNT

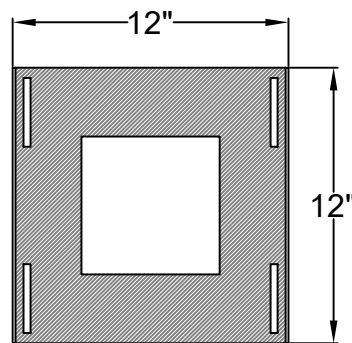


Front View

Side View



Pier Mount



Steel Insert



St. James
LIGHTING

SCALE: N.T.S.	DRAFT: Y. McCullough
FILE: SARGG	APP'D: J. Ragan
JOB: X	DATE: 11/14/24

Lights are handcrafted.
Dimensions may vary by 1/4"

B.T.U. Rating
Natural Gas: 5460 B.T.U.
Propane: 4160 B.T.U.