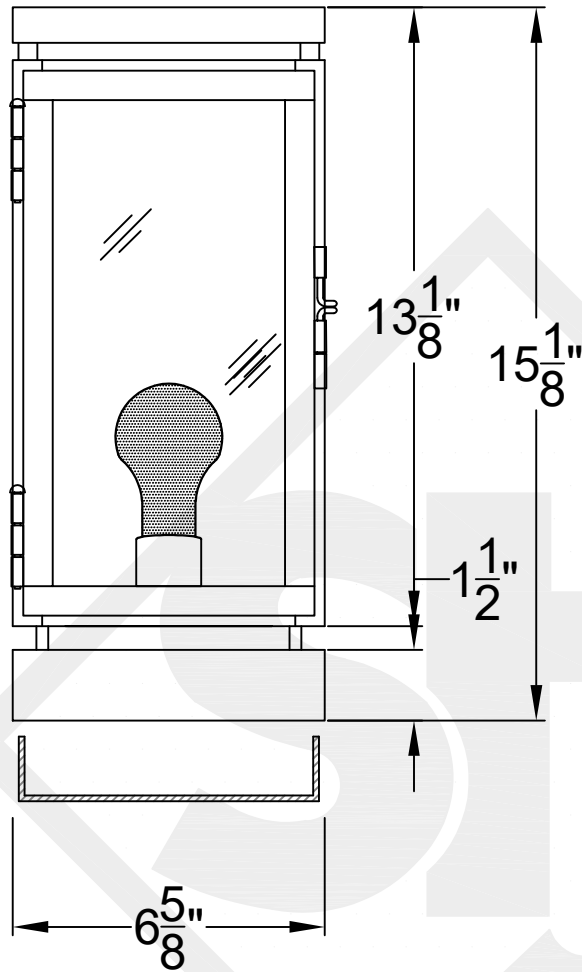
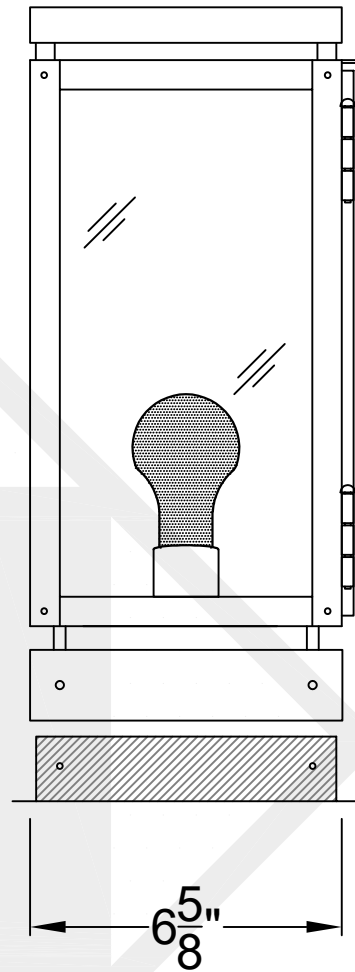


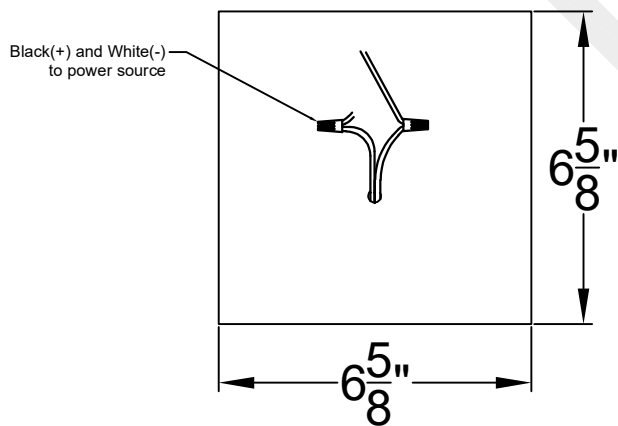
FRISCO MINI COPPER PIER MOUNT



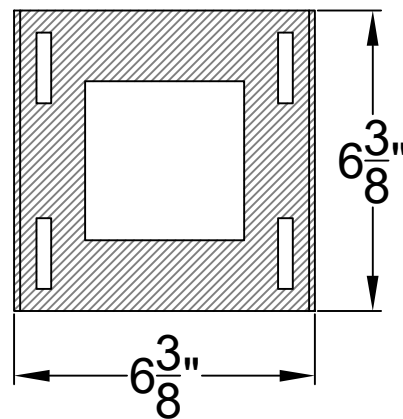
Front View



Side View



Pier Mount



Steel Insert



St. James
LIGHTING

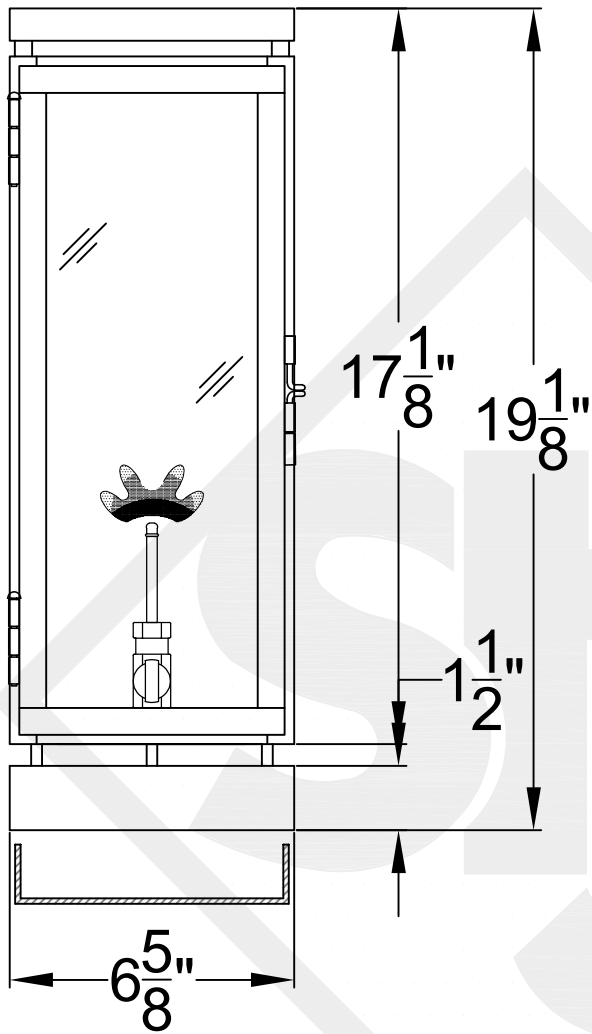
SCALE: N.T.S. DRAFT: Y. McCullough
FILE: FRIMINI APP'D: J. Ragan
JOB: X DATE: 10/2/24

Lights are handcrafted.
Dimensions may vary by 1/4"

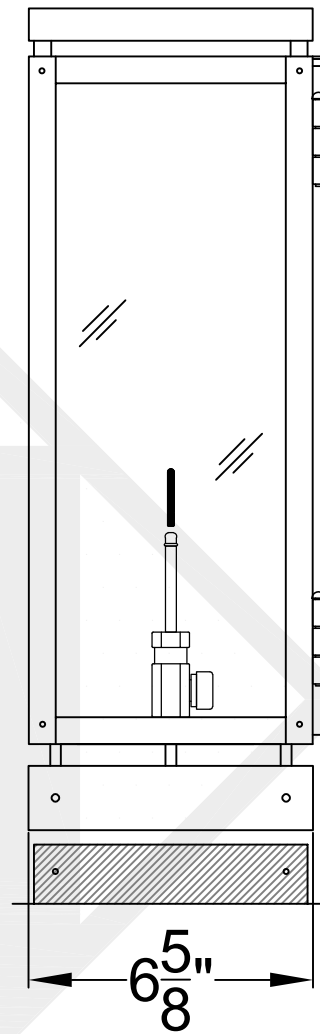
Mini not Available in Gas

UL Certified
Candelabra- Max 60 Watt Bulb
Edison- Max 660 Watt Bulb

FRISCO SMALL COPPER PIER MOUNT

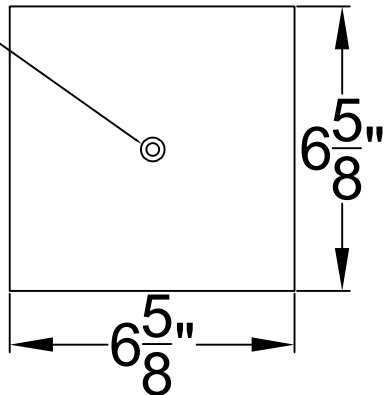


Front View

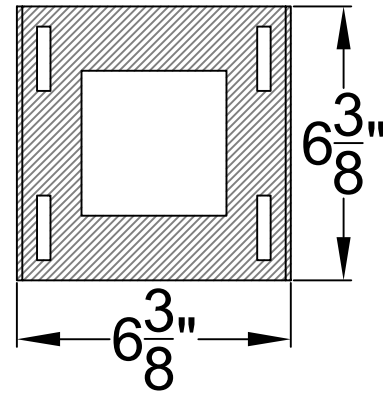


Side View

1/4" Flare
Fitting



Pier Mount



Steel Insert



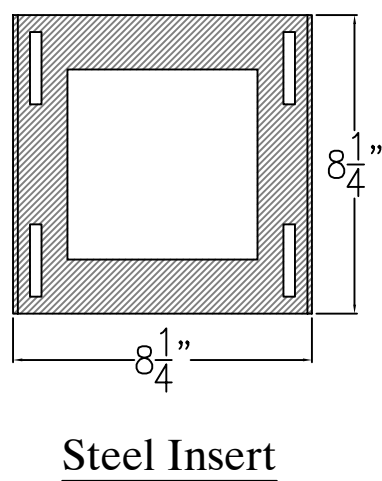
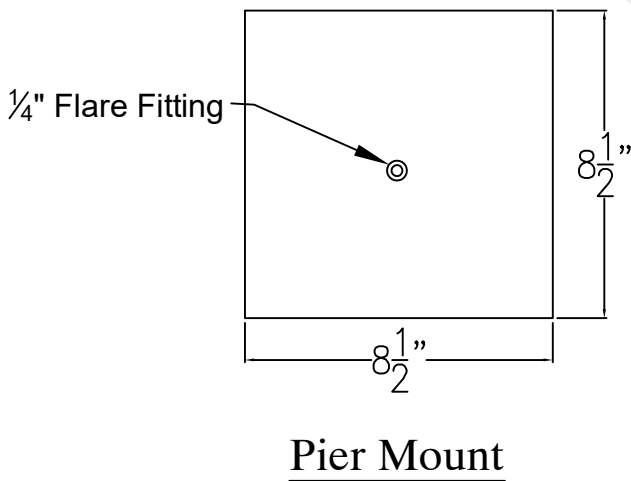
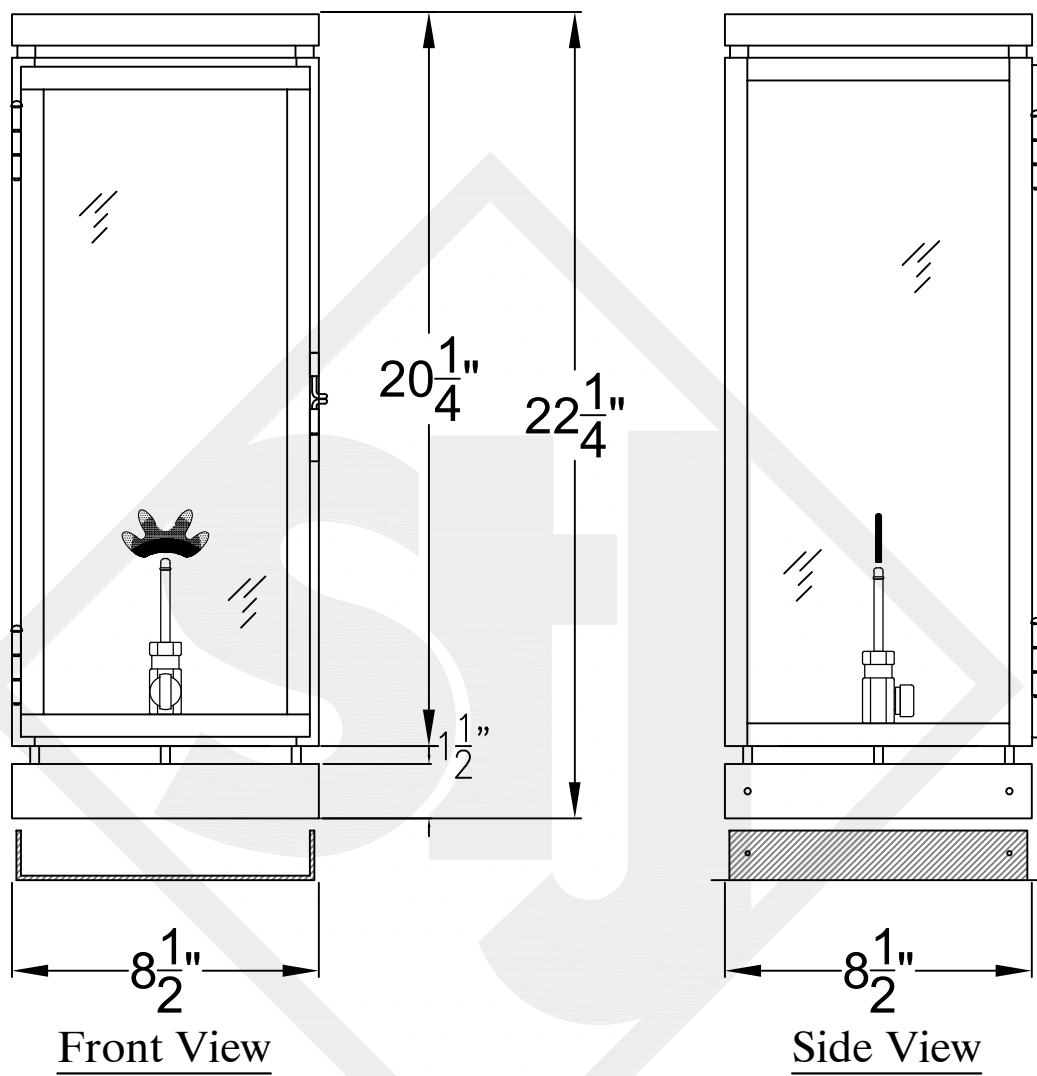
St. James
LIGHTING


SCALE: N.T.S.	DRAFT: Y. McCullough
FILE: FRIS	APP'D: J. Ragan
JOB: X	DATE: 10/2/24

Lights are handcrafted.
Dimensions may vary by 1/4"

B.T.U. Rating
Natural Gas: 2730 B.T.U.
Propane: 2080 B.T.U.

FRISCO MEDIUM COPPER PIER MOUNT

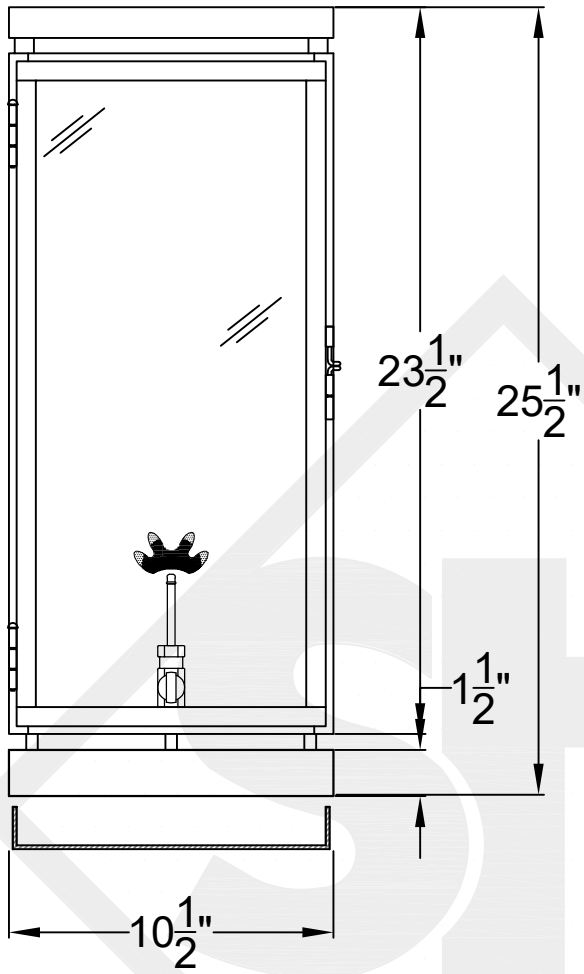


	St. James LIGHTING	
	SCALE: N.T.S.	DRAFT: Y. McCullough
	FILE: FRIM	APP'D: J. Ragan
	JOB: X	DATE: 10/2/24

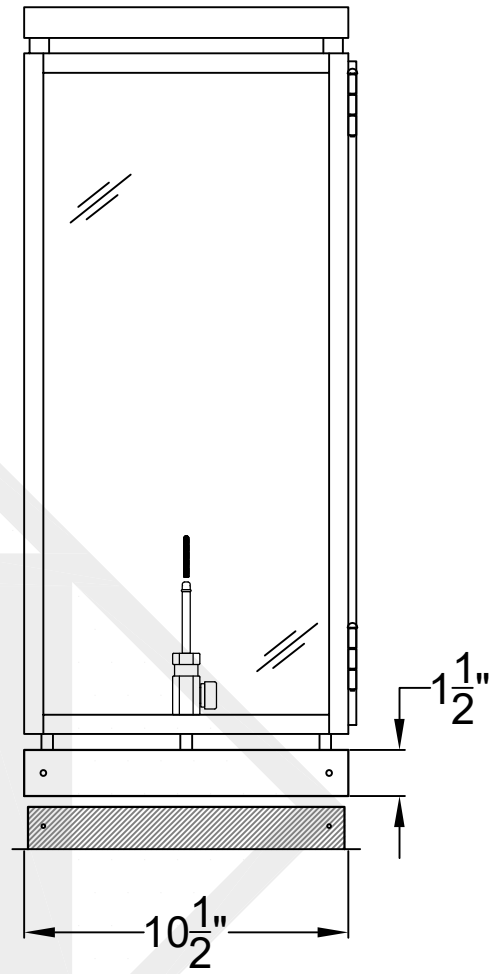
Lights are handcrafted.
Dimensions may vary by 1/4"

B.T.U. Rating
Natural Gas: 2730 B.T.U.
Propane: 2080 B.T.U.

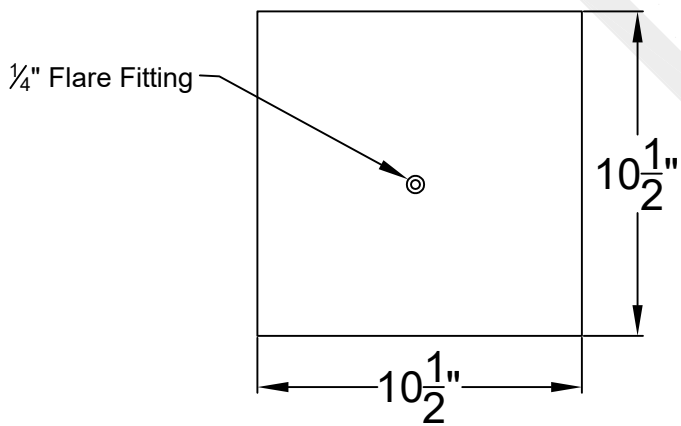
FRISCO LARGE COPPER PIER MOUNT



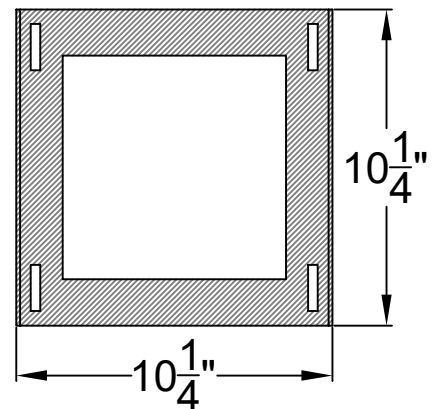
Front View



Side View



Pier Mount



Steel Insert



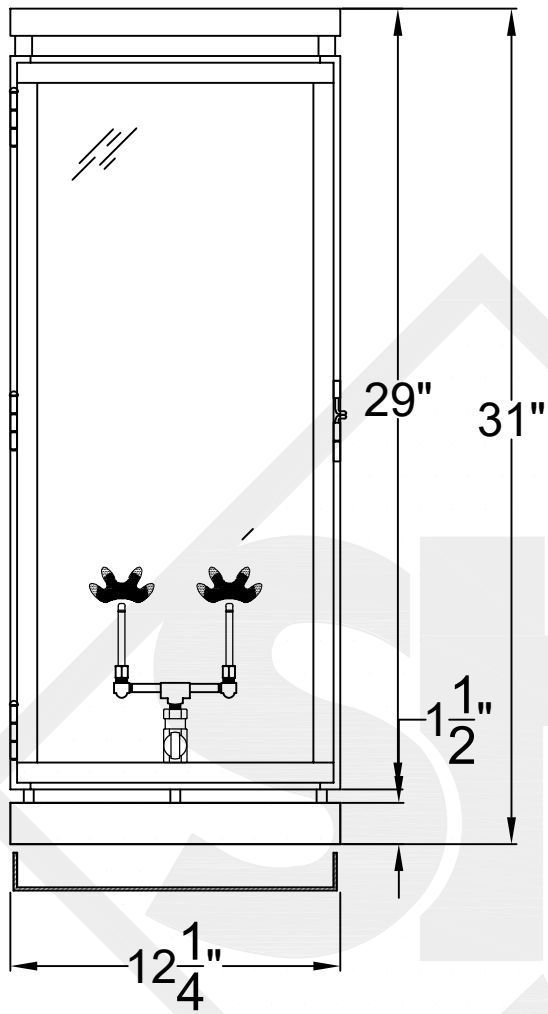
St. James
LIGHTING

SCALE: N.T.S.	DRAFT: Y. McCullough
FILE: FRIM	APP'D: J. Ragan
JOB: X	DATE: 10/2/24

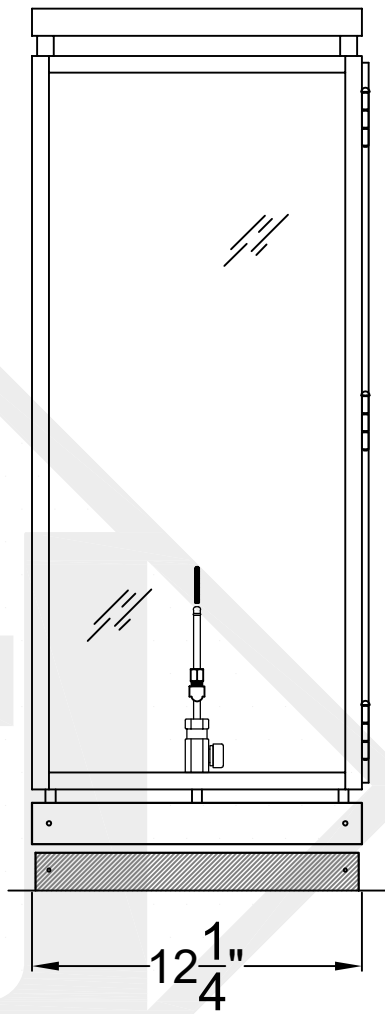
Lights are handcrafted.
Dimensions may vary by 1/4"

B.T.U. Rating
Natural Gas: 2730 B.T.U.
Propane: 2080 B.T.U.

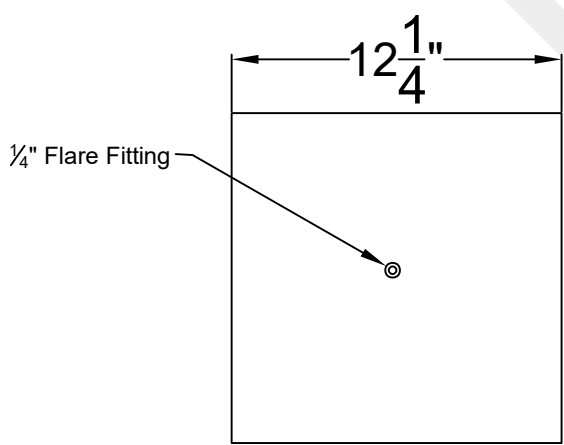
FRISCO GRANDE COPPER PIER MOUNT



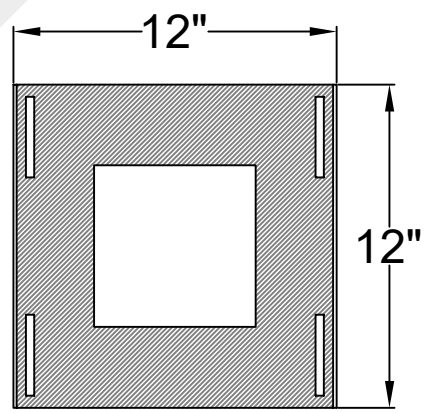
Front View



Side View



Pier Mount



Steel Insert



**St. James
LIGHTING**

SCALE: N.T.S.	DRAFT: Y. McCullough
FILE: FRIG	APP'D: J. Ragan
JOB: X	DATE: 10/2/24

Lights are handcrafted.
Dimensions may vary by 1/4"

B.T.U. Rating
Natural Gas: 5460 B.T.U.
Propane: 4160 B.T.U.