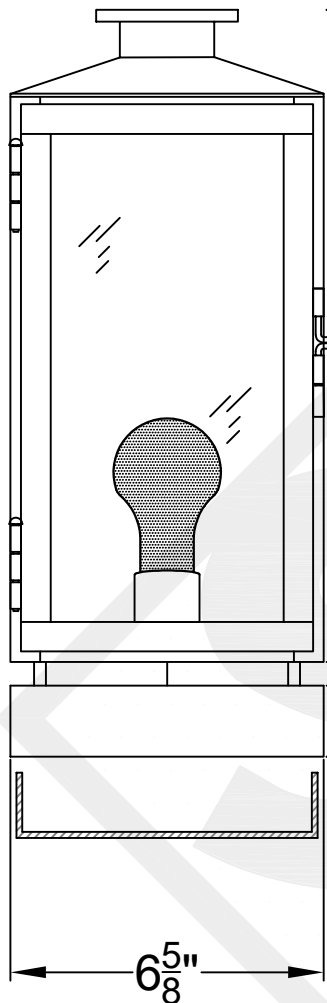
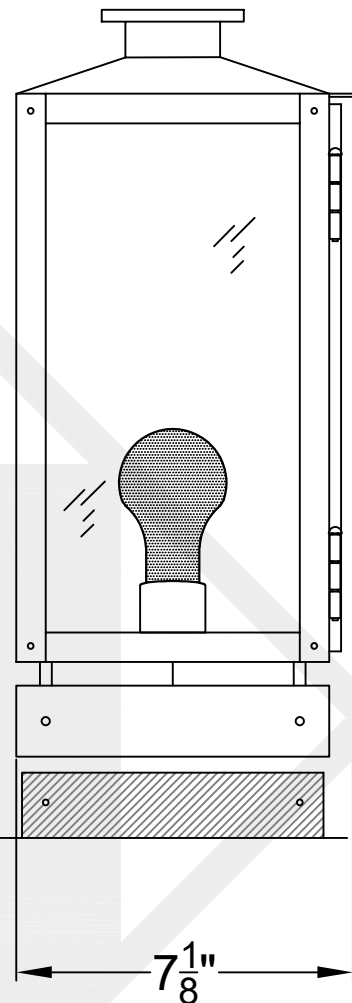
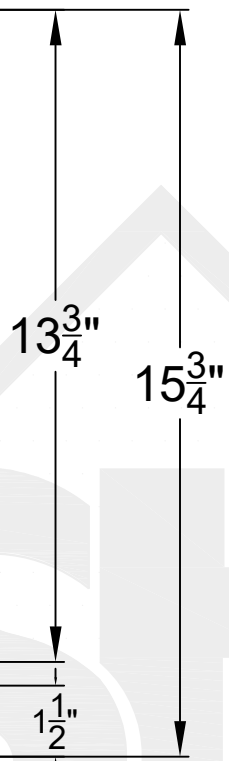


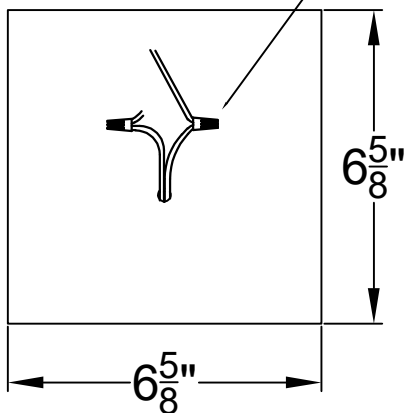
OXFORD MINI COPPER PIER MOUNT



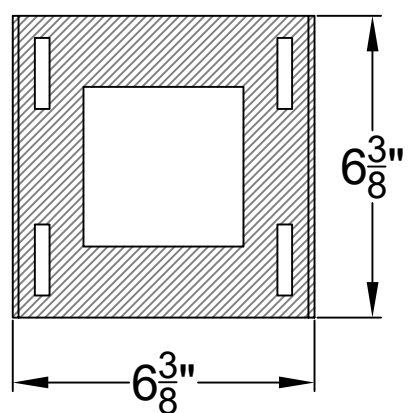
Front View



Side View




Pier Mount



Steel Insert

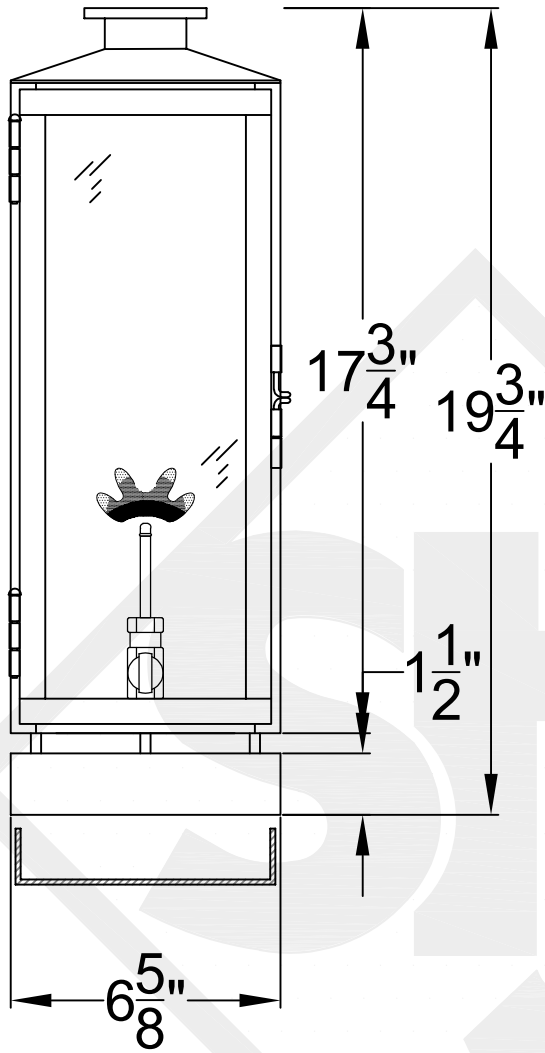
Black(+) and White(-)
to power source

 St. James LIGHTING	
SCALE: N.T.S.	DRAFT: Y. McCullough
FILE: OXFMINI	APP'D: J. Ragan
JOB: X	DATE: 10/7/24

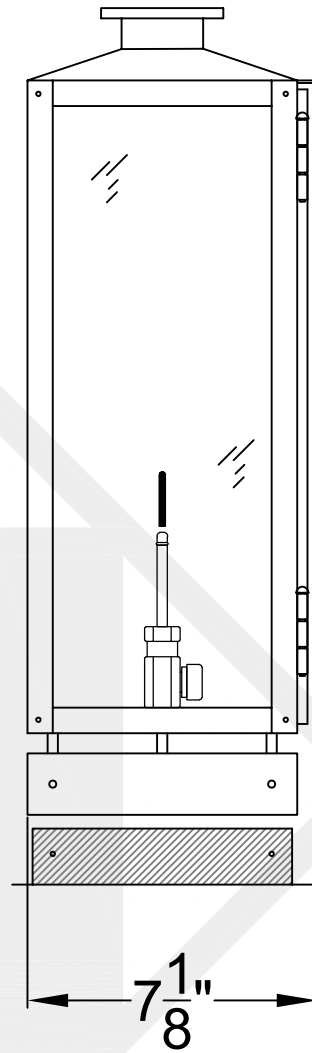
Lights are handcrafted.
Dimensions may vary by 1/4"

UL Certified
Candelabra- Max 60 Watt Bulb
Edison- Max 660 Watt Bulb

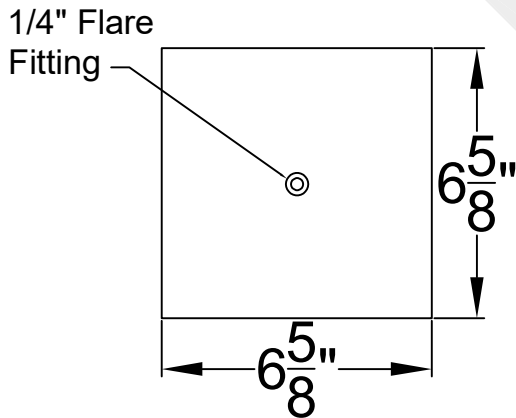
OXFORD SMALL COPPER PIER MOUNT



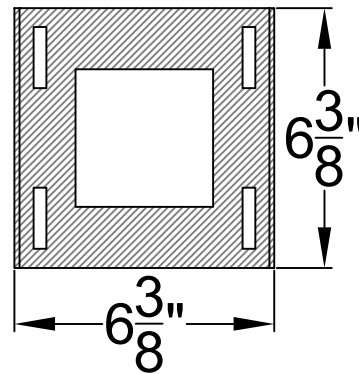
Front View



Side View



Pier Mount



Steel Insert



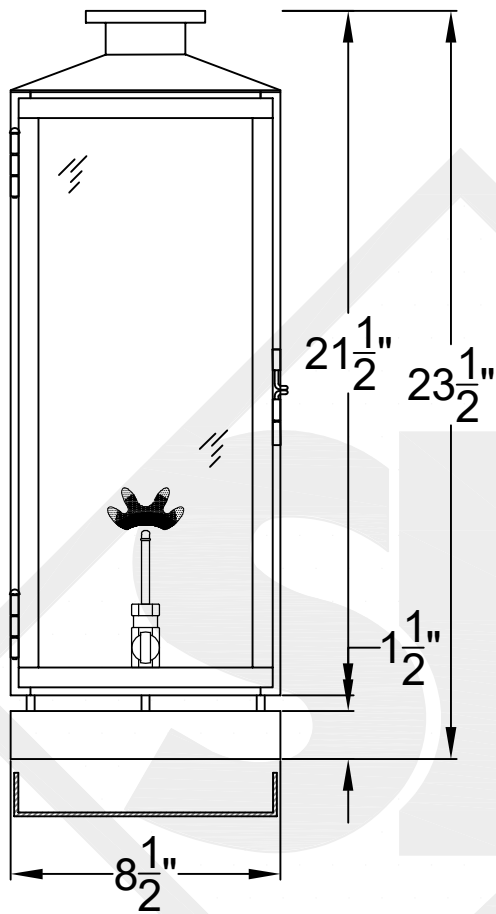
St. James
LIGHTING

SCALE: N.T.S.	DRAFT: Y. McCullough
FILE: OXFS	APP'D: J. Ragan
JOB: X	DATE: 10/7/24

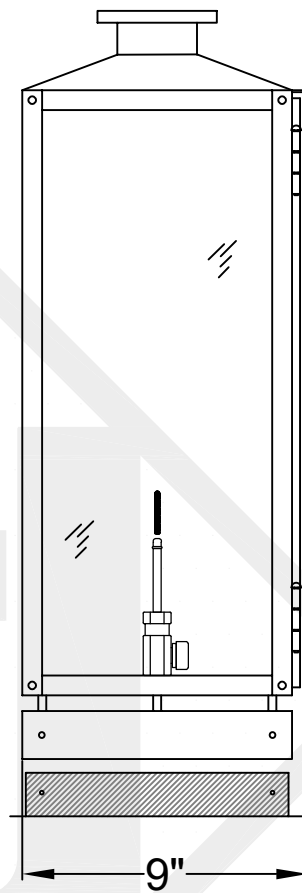
Lights are handcrafted.
Dimensions may vary by 1/4"

B.T.U. Rating
Natural Gas: 2730 B.T.U.
Propane: 2080 B.T.U.

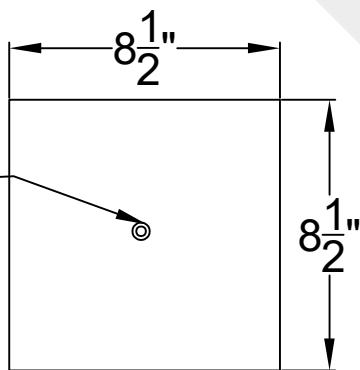
OXFORD MEDIUM COPPER PIER MOUNT



Front View

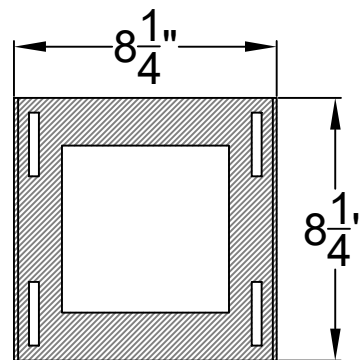


Side View



1/4" Flare Fitting

Pier Mount



Steel Insert



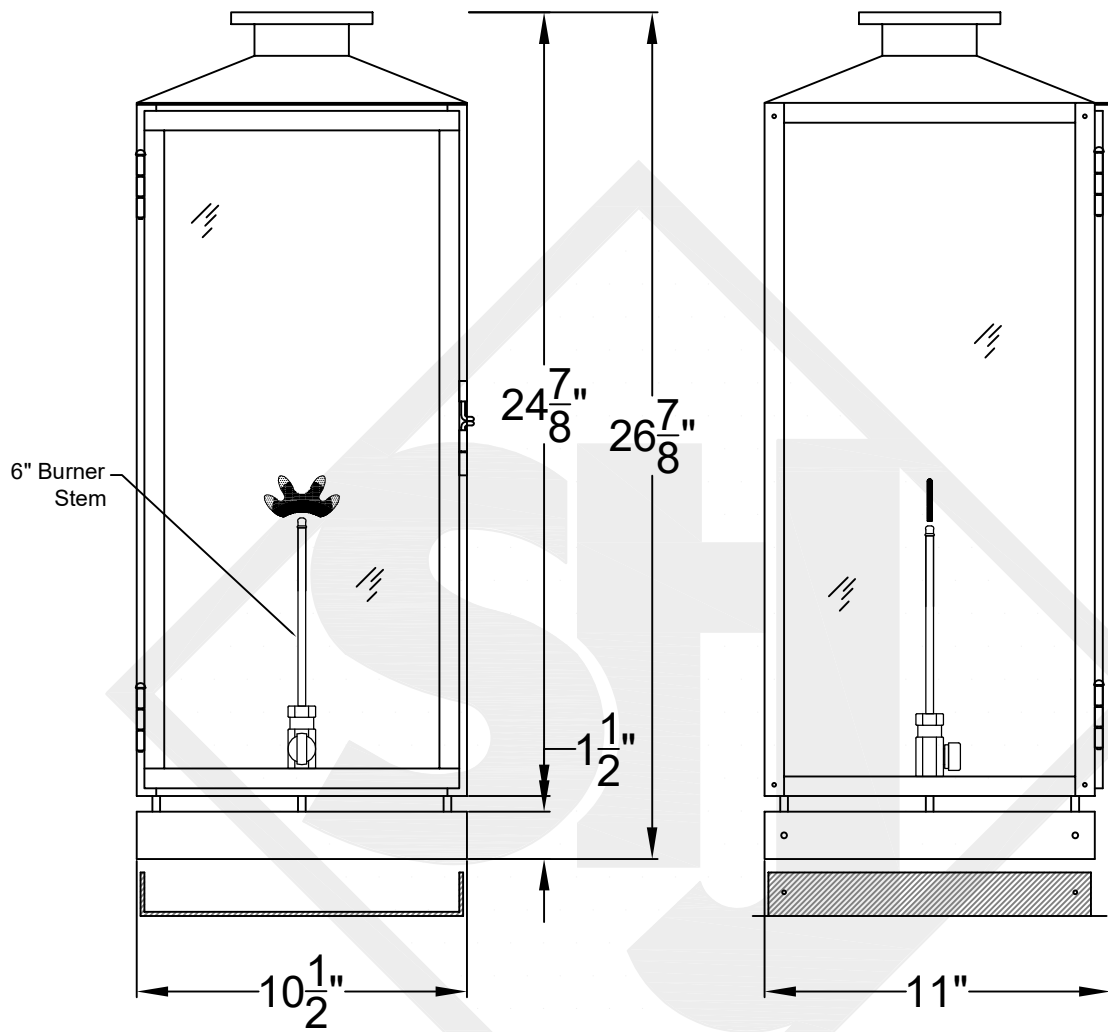
St. James
LIGHTING

SCALE: N.T.S.	DRAFT: Y. McCullough
FILE: OXFM	APP'D: J. Ragan
JOB: X	DATE: 10/7/24

Lights are handcrafted.
Dimensions may vary by 1/4"

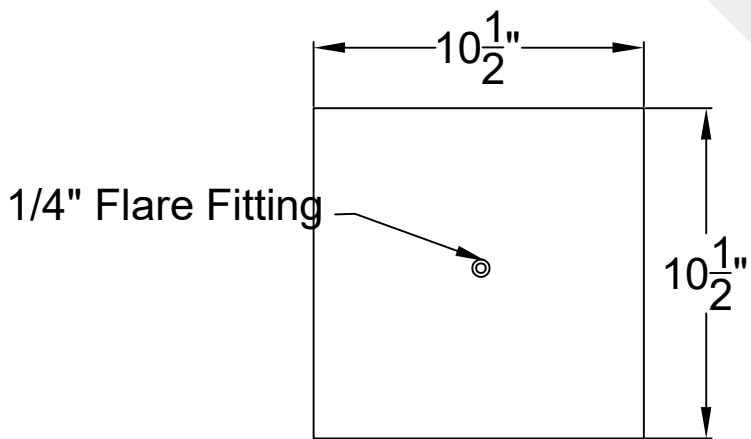
B.T.U. Rating
Natural Gas: 2730 B.T.U.
Propane: 2080 B.T.U.

OXFORD LARGE COPPER PIER MOUNT

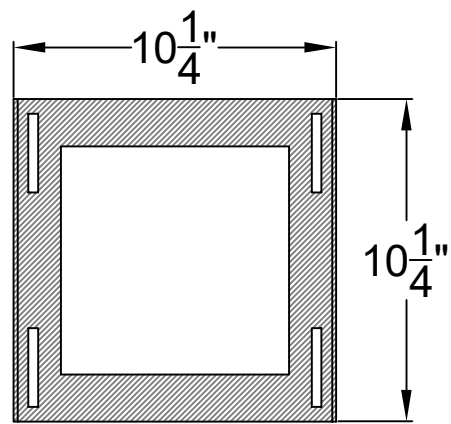


Front View

Side View



Pier Mount



Steel Insert



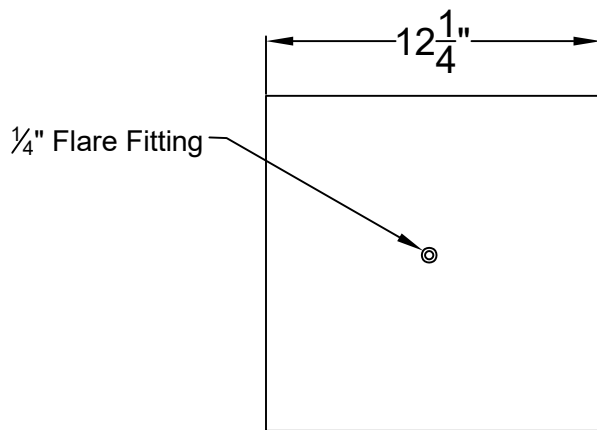
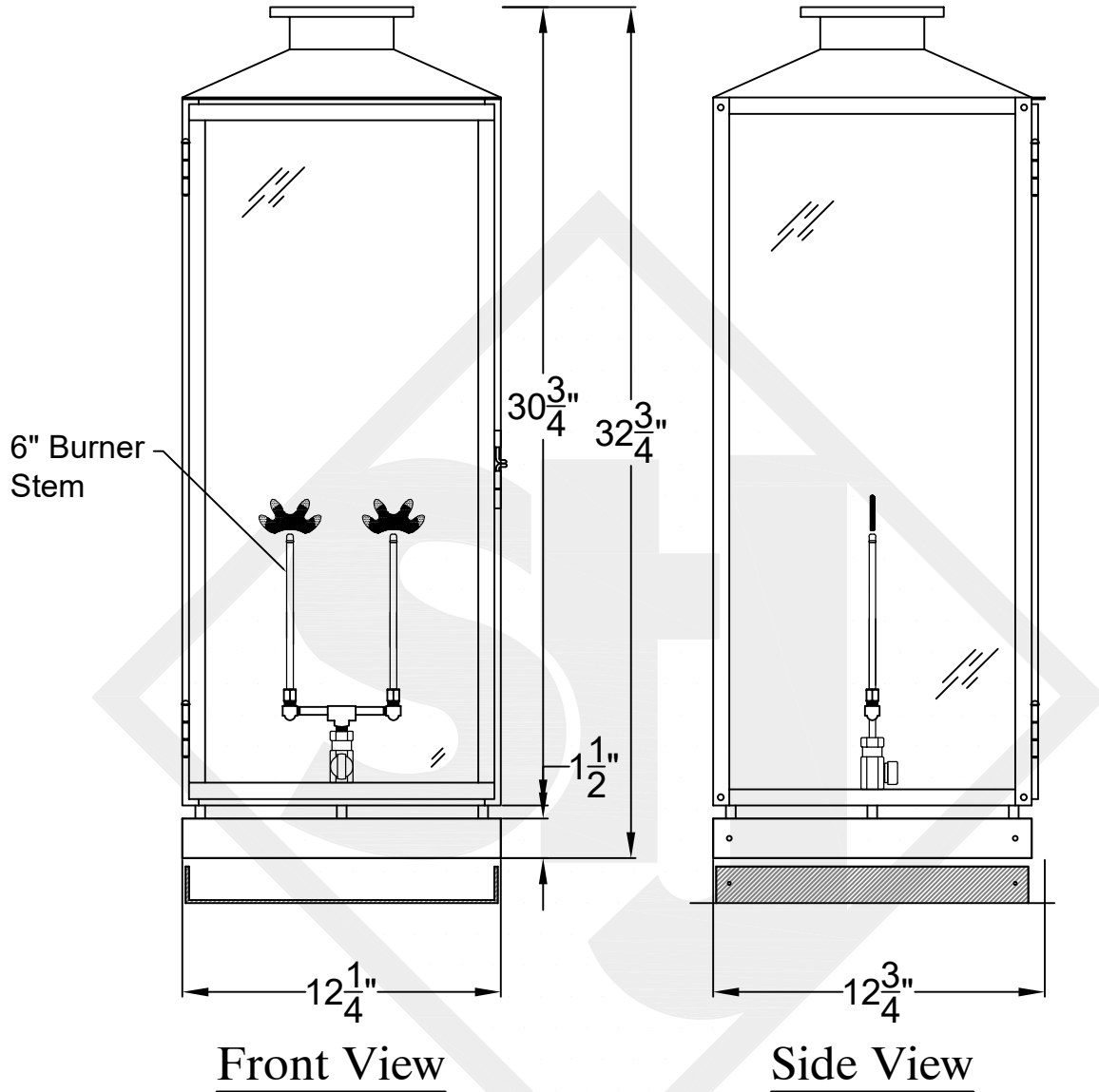
St. James
LIGHTING

SCALE: N.T.S.	DRAFT: Y. McCullough
FILE: OXFL	APP'D: J. Ragan
JOB: X	DATE: 10/7/24

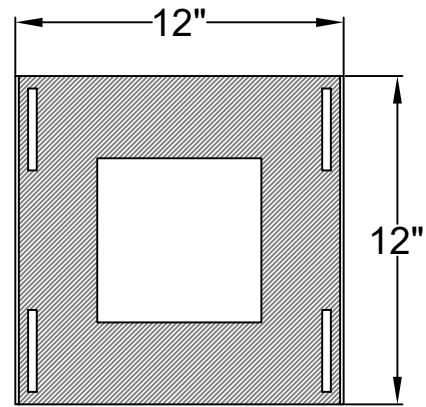
Lights are handcrafted.
Dimensions may vary by 1/4"

B.T.U. Rating
Natural Gas: 2730 B.T.U.
Propane: 2080 B.T.U.

OXFORD GRANDE COPPER PIER MOUNT



Pier Mount



Steel Insert



**St. James
LIGHTING**

SCALE: N.T.S.	DRAFT: Y. McCullough
FILE: OXFG	APP'D: J. Ragan
JOB: X	DATE: 10/7/24

Lights are handcrafted.
Dimensions may vary by 1/4"

B.T.U. Rating
Natural Gas: 5460 B.T.U.
Propane: 4160 B.T.U.