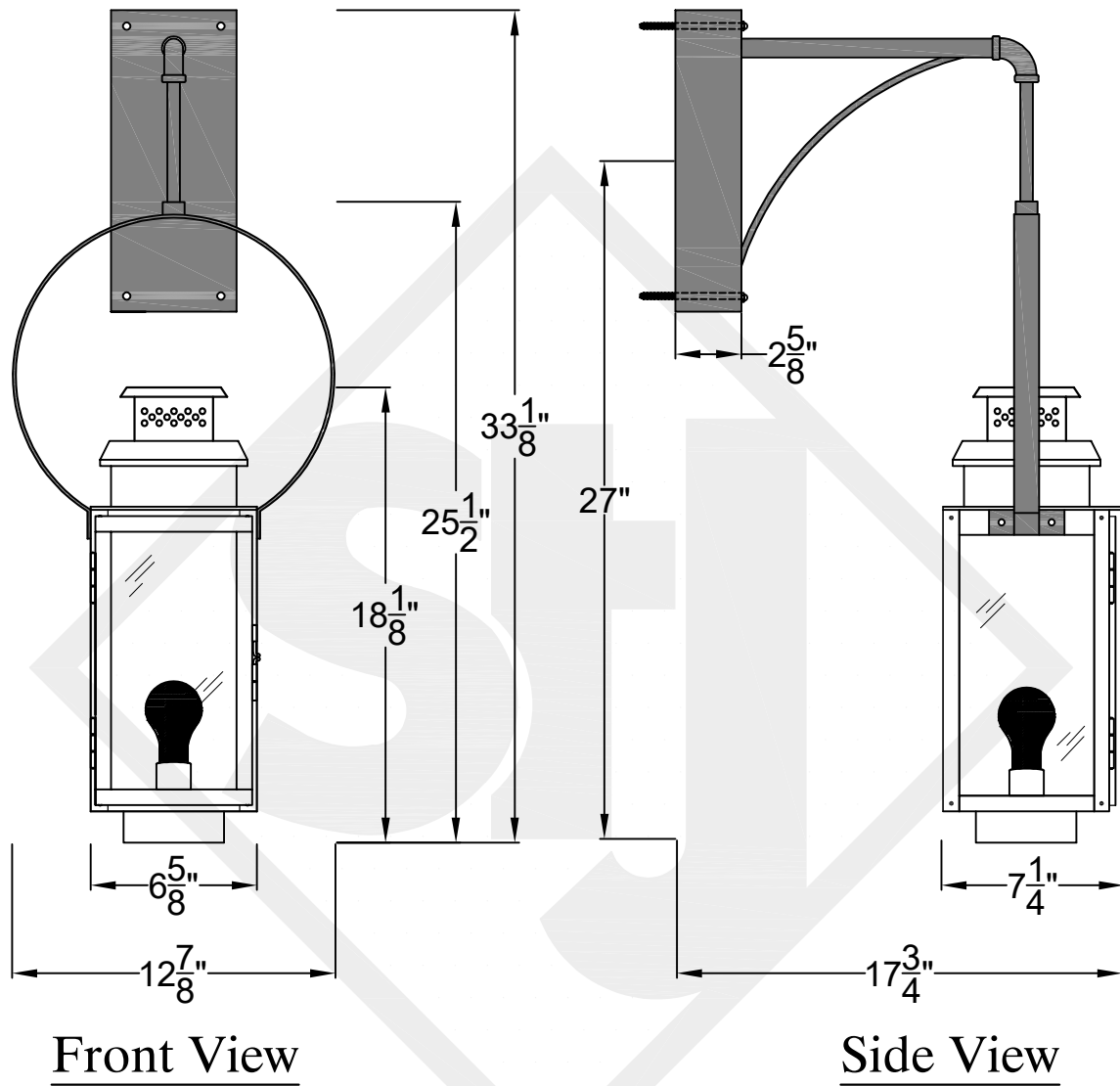


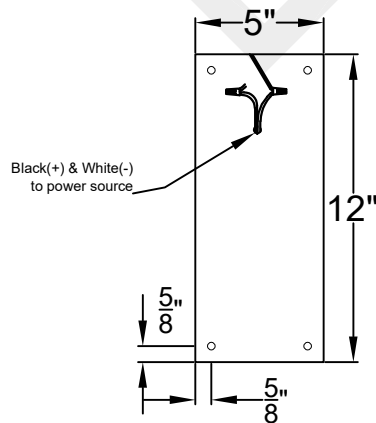
CHICAGO MINI WALL MOUNT HALF YOKE

Shortest Height $29\frac{3}{8}"$



Front View

Side View



Backplate



St. James
LIGHTING

SCALE: N.T.S.	DRAFT: T. Herring
FILE: CHIMINI	APP'D: J. Ragan
JOB: X	DATE: 8-17-2023

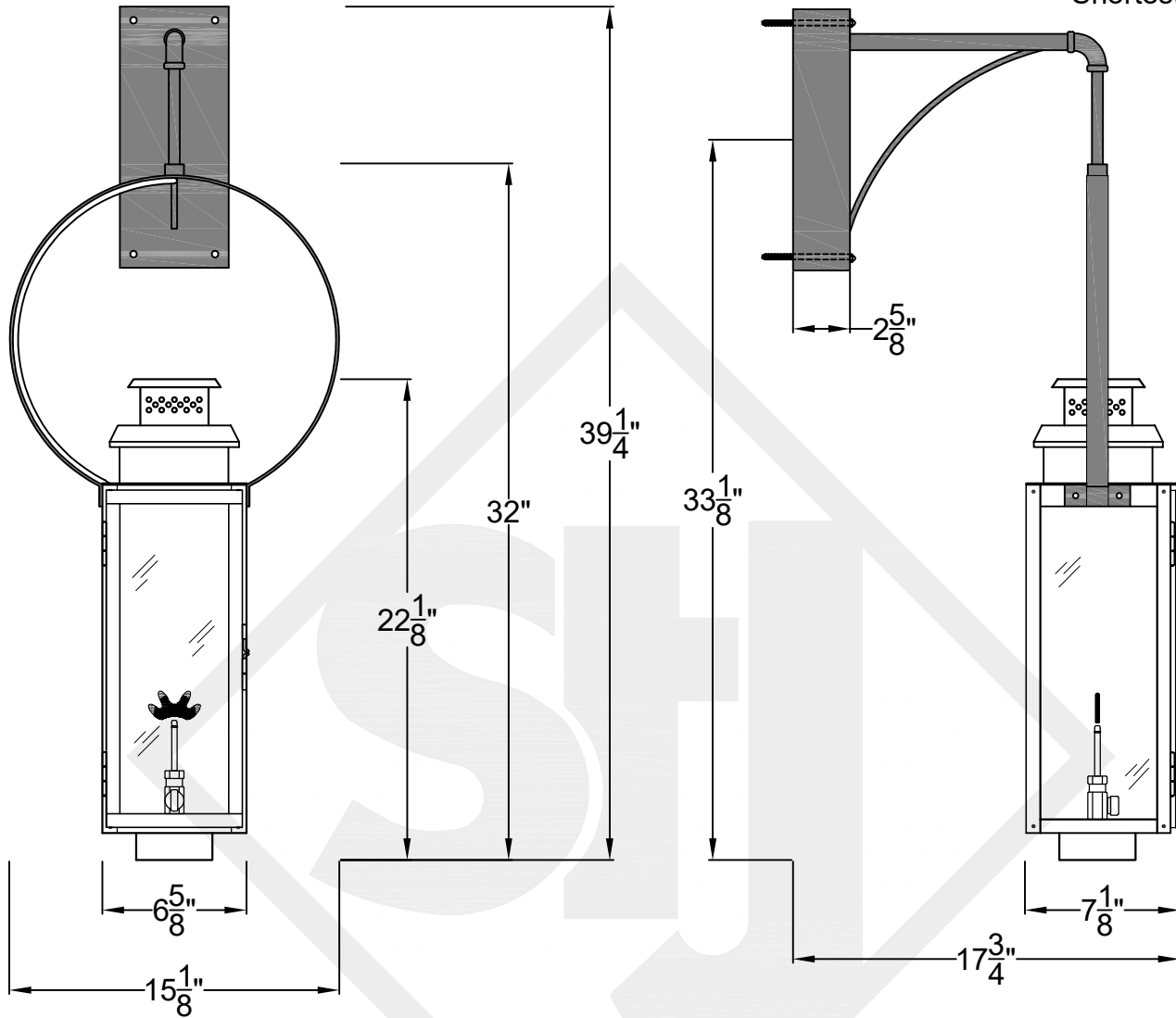
Lights are handcrafted.
Dimensions may vary by 1/4"

UL Certified
Candelabra- Max 60 Watt Bulb
Edison- Max 660 Watt Bulb

Mini not Available in Gas

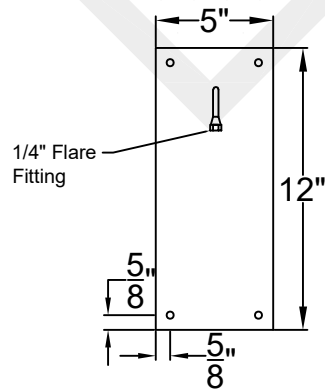
CHICAGO SMALL WALL MOUNT HALF YOKE

Shortest Height 35 $\frac{7}{8}$ "



Front View

Side View



Backplate



St. James
LIGHTING

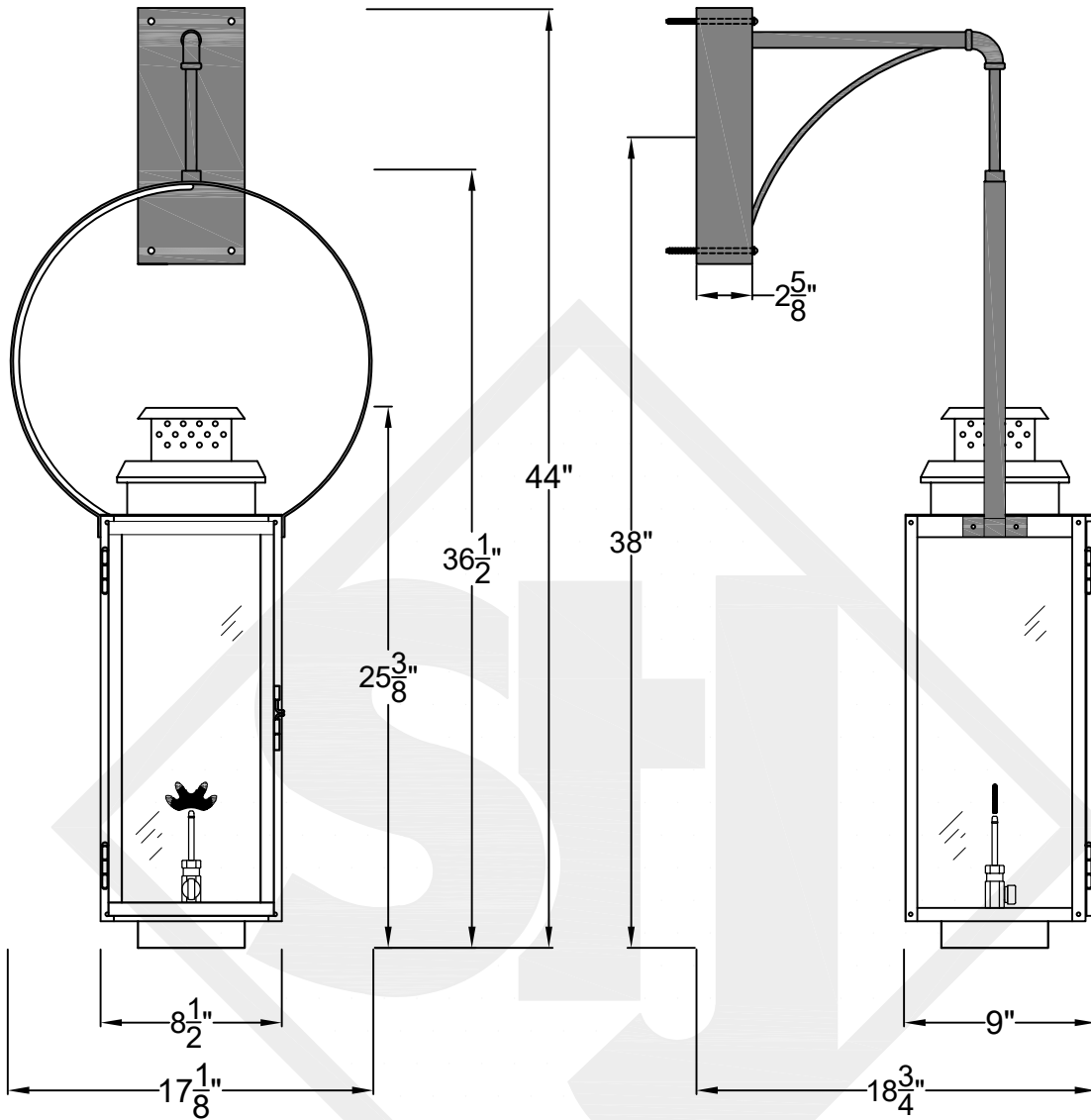
SCALE: N.T.S.	DRAFT: Y. McCullough
FILE: CHIS	APP'D: J. Ragan
JOB: X	DATE: 11/18/23

Lights are handcrafted.
Dimensions may vary by 1/4"

B.T.U. Rating
Natural Gas: 2730 B.T.U.
Propane: 2080 B.T.U.

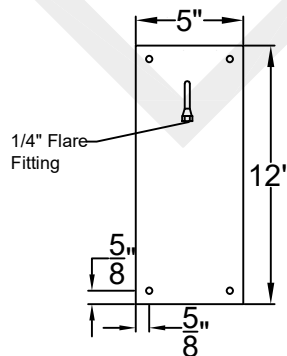
CHICAGO MEDIUM WALL MOUNT HALF YOKE

Shortest Height 40 $\frac{1}{4}$ "



Front View

Side View



Backplate



St. James
LIGHTING

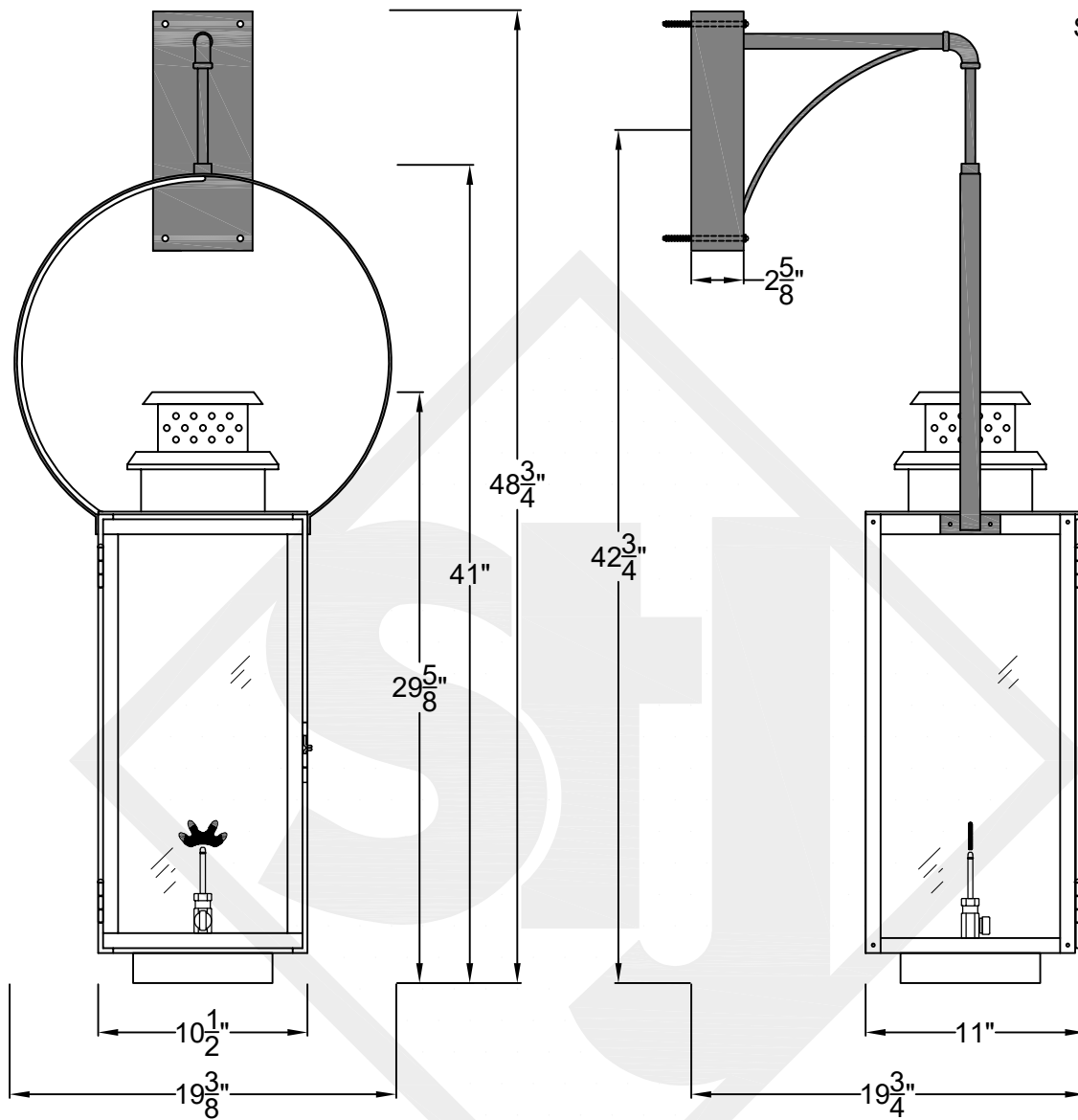
SCALE: N.T.S.	DRAFT: Y. McCullough
FILE: CHIM	APP'D: J. Ragan
JOB: X	DATE: 11/18/23

Lights are handcrafted.
Dimensions may vary by 1/4"

B.T.U. Rating
Natural Gas: 2730 B.T.U.
Propane: 2080 B.T.U.

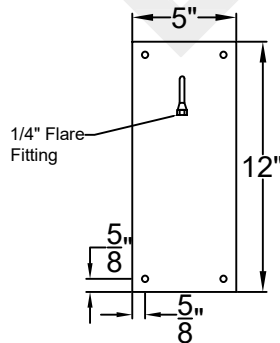
CHICAGO LARGE WALL MOUNT HALF YOKE

Shortest Height 45"



Front View

Side View



Backplate



St. James
LIGHTING

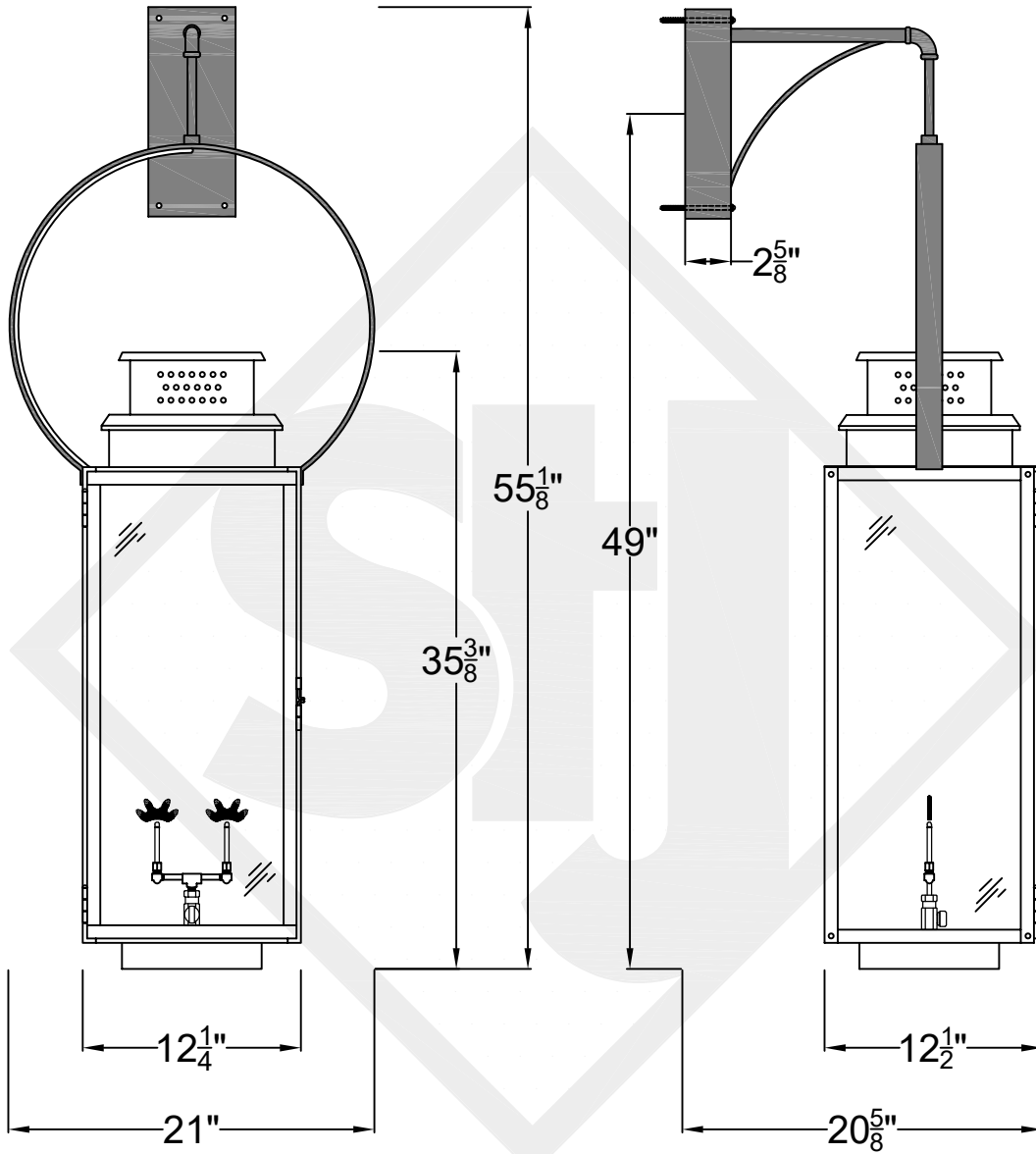
SCALE: N.T.S.	DRAFT: Y. McCullough
FILE: CHIL	APP'D: J. Ragan
JOB: X	DATE: 11/18/23

Lights are handcrafted.
Dimensions may vary by 1/4"

B.T.U. Rating
Natural Gas: 2730 B.T.U.
Propane: 2080 B.T.U.

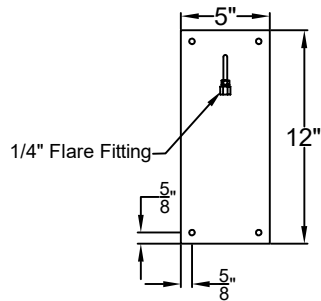
CHICAGO GRANDE WALL MOUNT HALF YOKE

Shortest Height 51 $\frac{5}{8}$ "



Front View

Side View



Backplate



St. James
LIGHTING

SCALE: N.T.S.	DRAFT: T. Herring
FILE: CHIG	APP'D: J. Ragan
JOB: X	DATE: 4-28-2023

Lights are handcrafted.
Dimensions may vary by 1/4"

B.T.U. Rating
Natural Gas: 5460 B.T.U.
Propane: 4160 B.T.U.