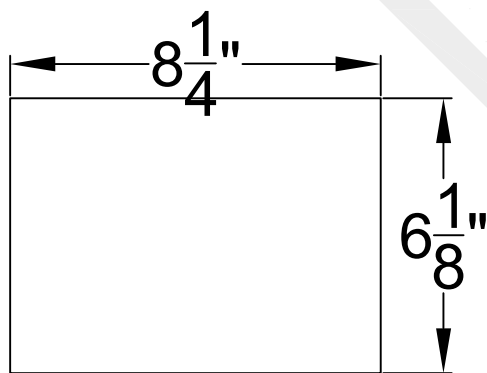
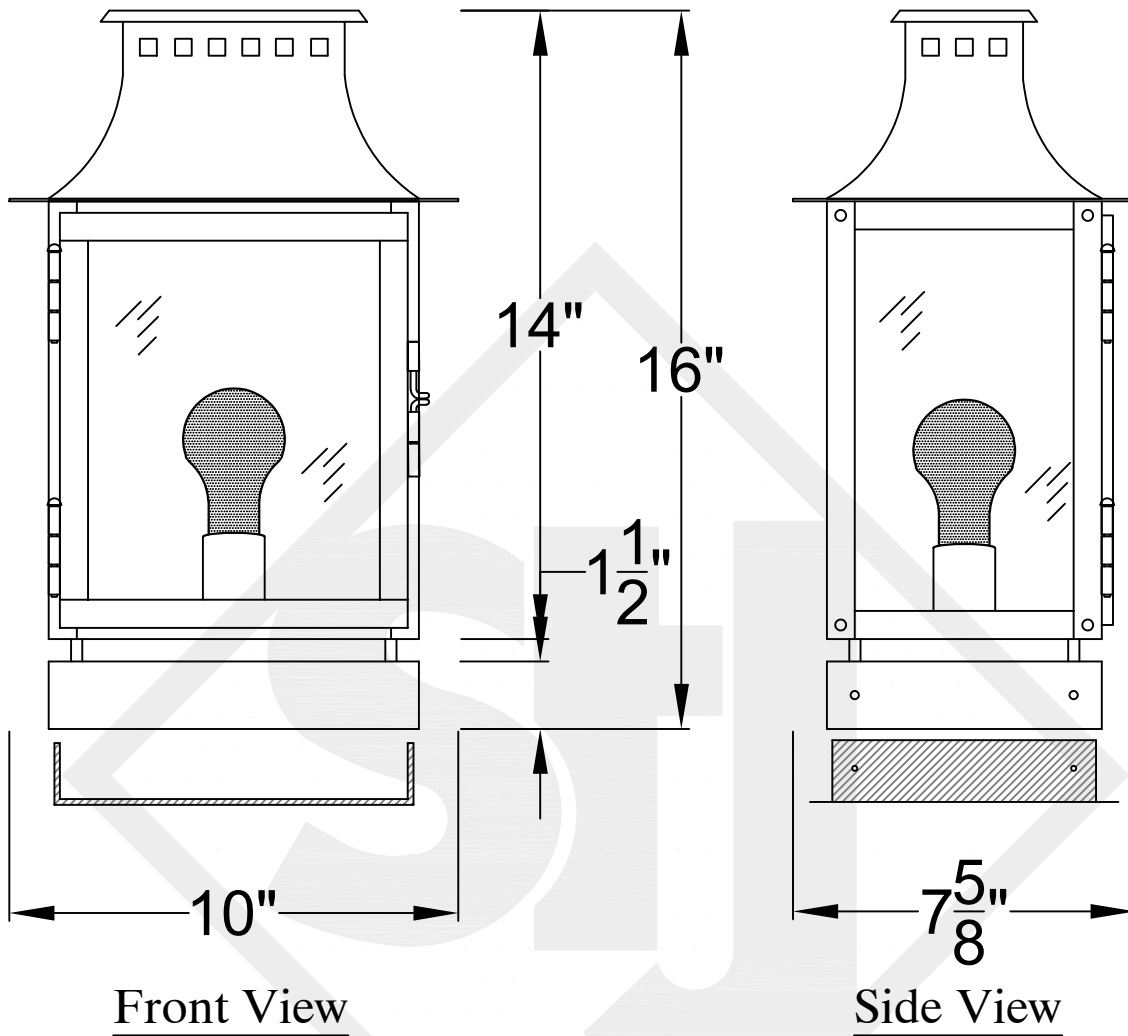
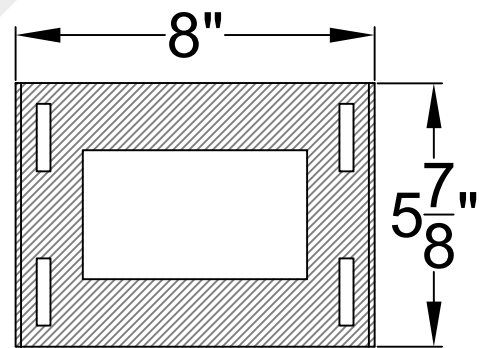


ASPEN MINI COPPER PIER MOUNT



Pier Mount



Steel Insert



St. James
LIGHTING

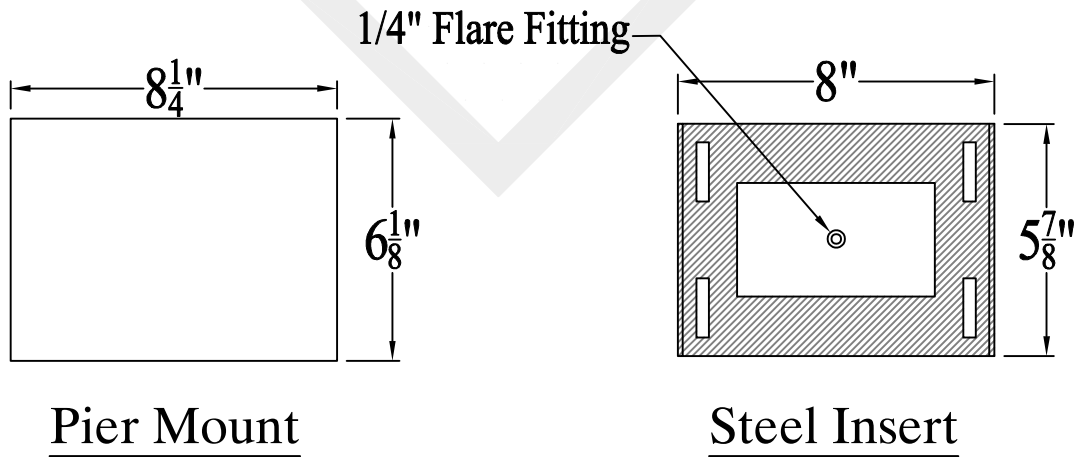
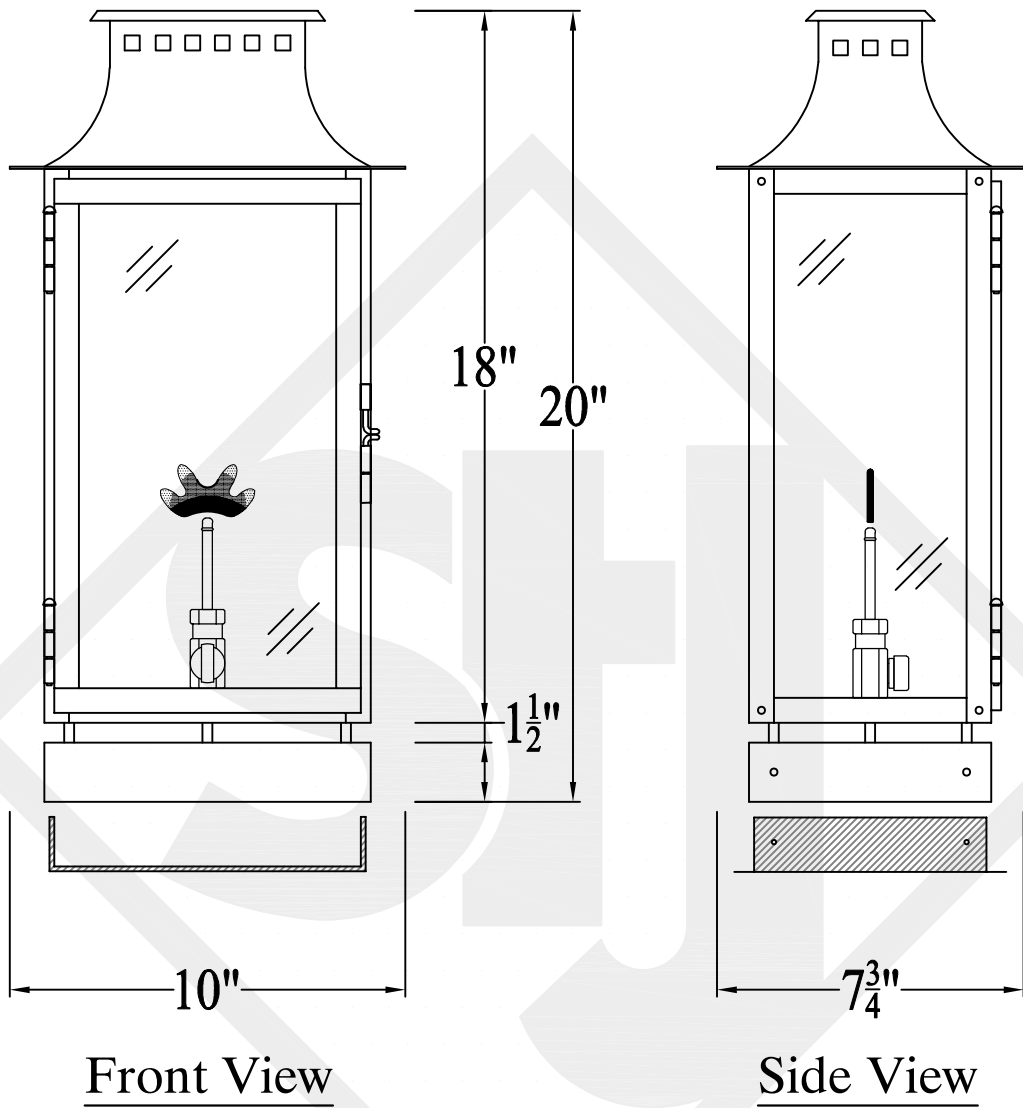
SCALE: N.T.S. DRAFT: Y. McCullough
FILE: ASPMINI APP'D: J. Ragan
JOB: X DATE: 10/22/24

Lights are handcrafted.
Dimensions may vary by 1/4"

UL Certified
Candelabra- Max 60 Watt Bulb
Edison- Max 660 Watt Bulb

Mini not available in gas

ASPEN SMALL COPPER PIER MOUNT



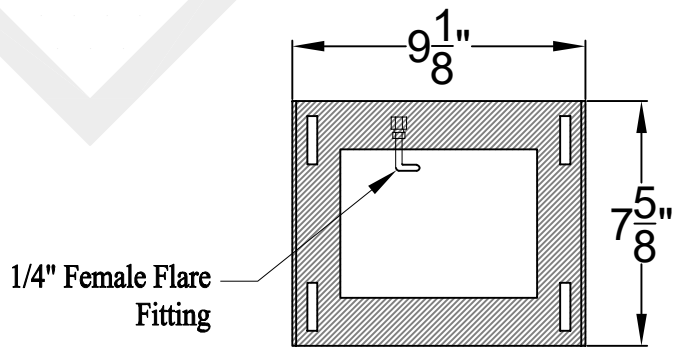
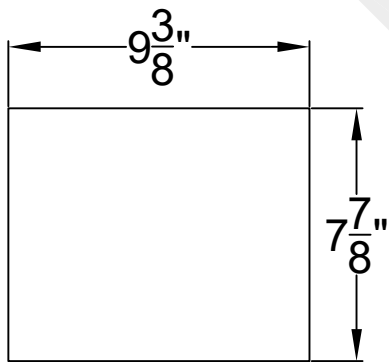
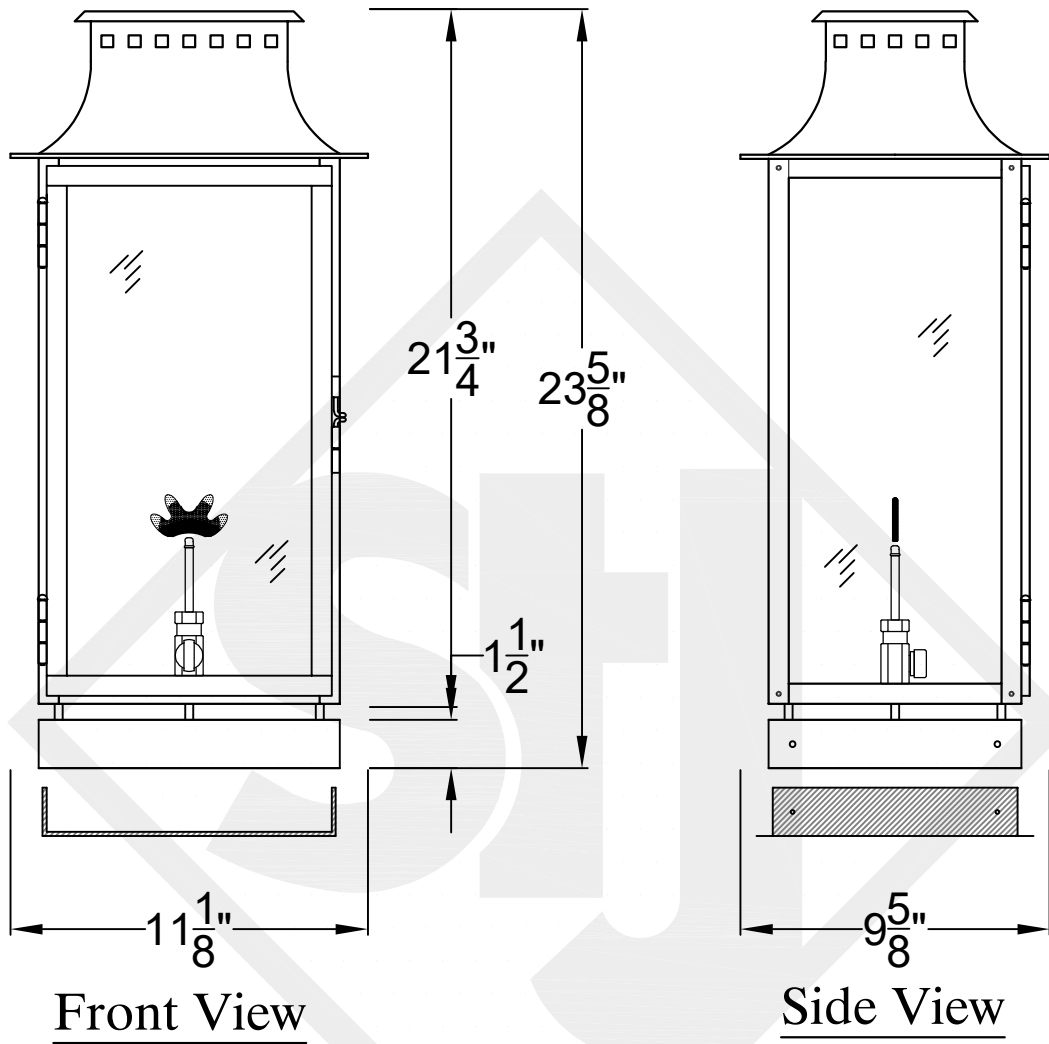
St. James
LIGHTING

SCALE: N.T.S. DRAFT: Y. McCullough
FILE: ASPS APP'D: J. Ragan
JOB: X DATE: 10/22/24

Lights are handcrafted.
Dimensions may vary by 1/4"

B.T.U. Rating
Natural Gas: 2730 B.T.U.
Propane: 2080 B.T.U.

ASPEN MEDIUM COPPER PIER MOUNT



Pier Mount

Steel Insert



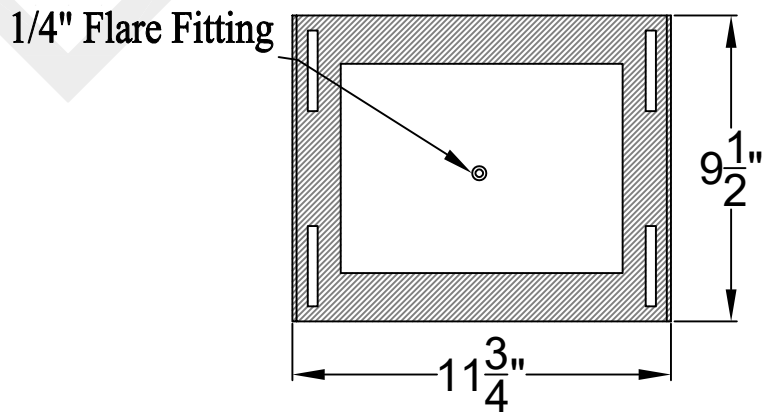
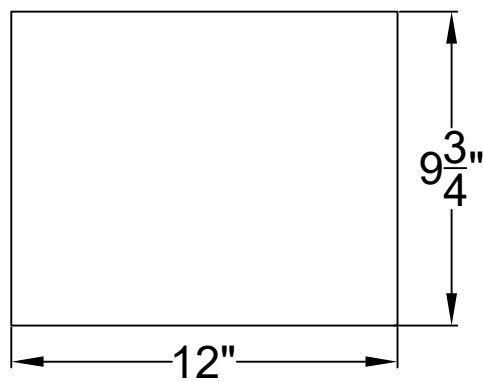
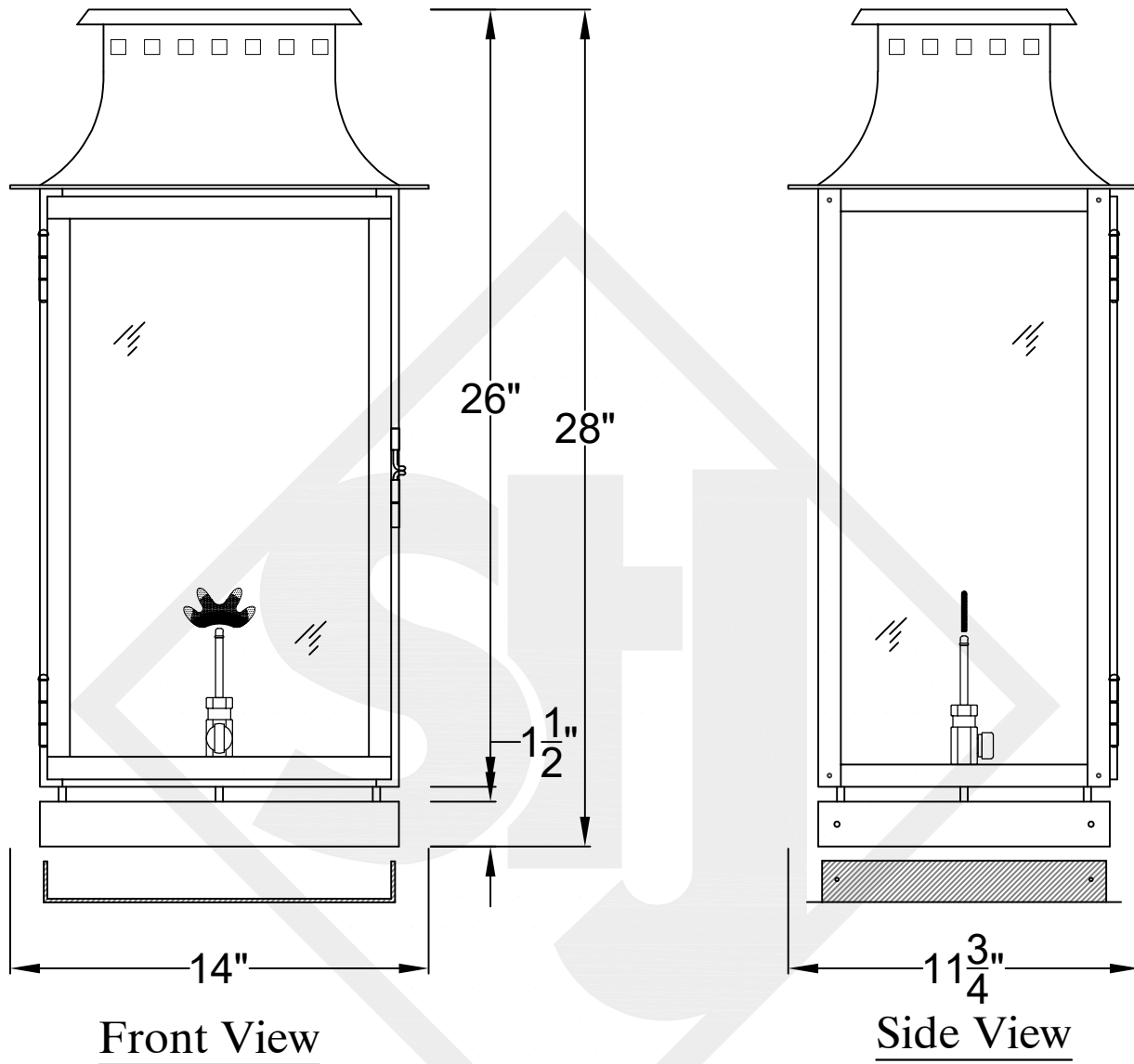
St. James
LIGHTING

SCALE: N.T.S.	DRAFT: Y. McCullough
FILE: ASPM	APP'D: J. Ragan
JOB: X	DATE: 4/5/24

Lights are handcrafted.
Dimensions may vary by 1/4"

B.T.U. Rating
Natural Gas: 2730 B.T.U.
Propane: 2080 B.T.U.

ASPEN LARGE COPPER PIER MOUNT



Pier Mount

Steel Insert



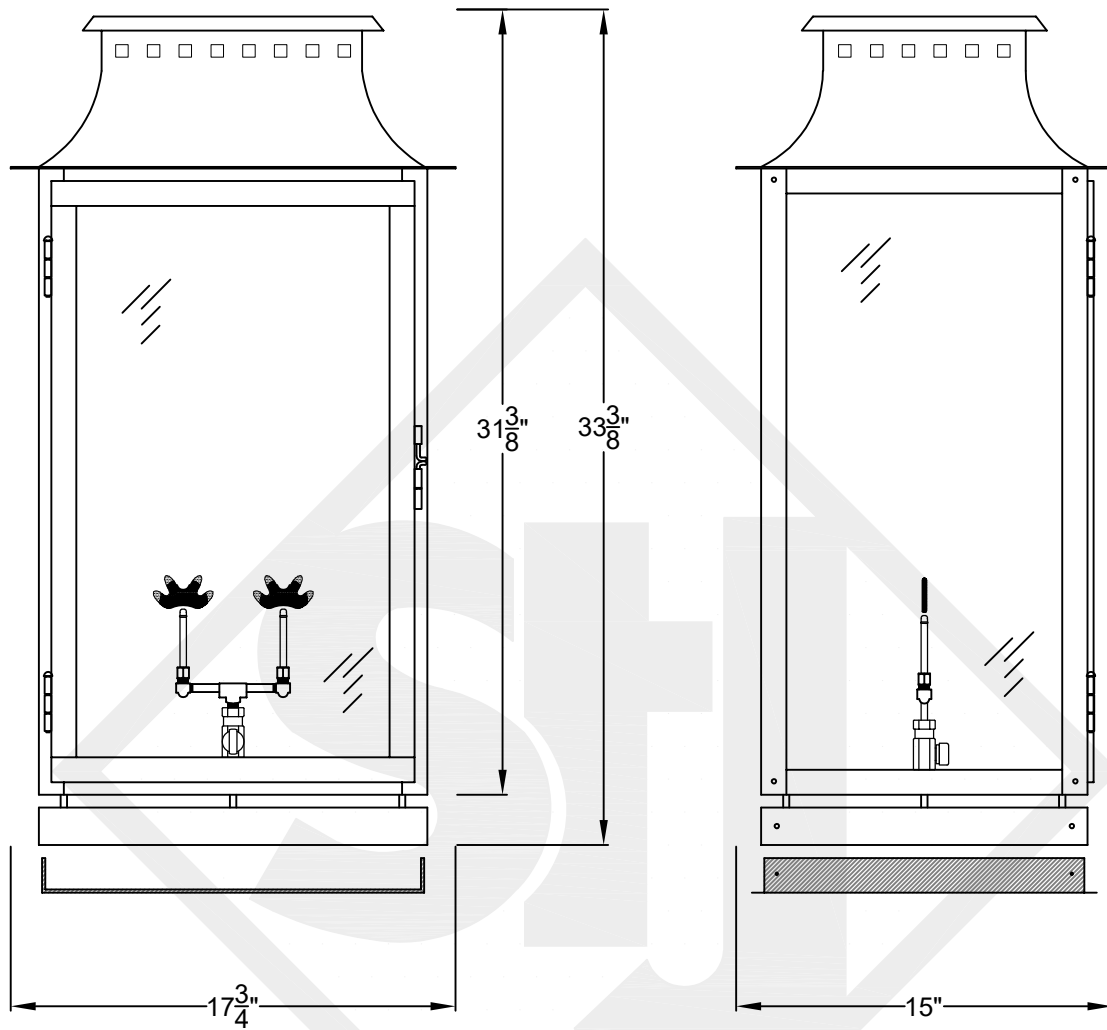
St. James
LIGHTING

SCALE: N.T.S.	DRAFT: Y. McCullough
FILE: ASPL	APP'D: J. Ragan
JOB: X	DATE: 11/4/24

Lights are handcrafted.
Dimensions may vary by 1/4"

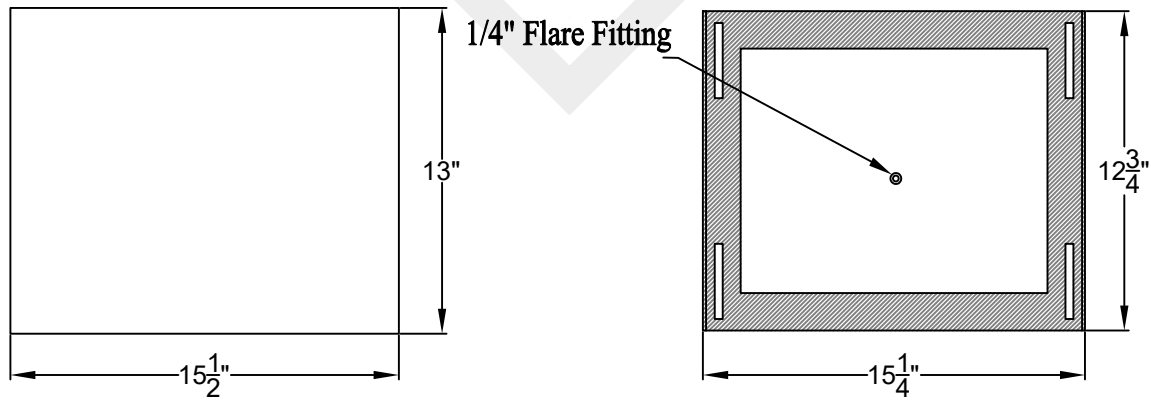
B.T.U. Rating
Natural Gas: 2730 B.T.U.
Propane: 2080 B.T.U.

ASPEN GRANDE COPPER PIER MOUNT



Front View

Side View



Pier Mount

Steel Insert



St. James
LIGHTING

SCALE: N.T.S.	DRAFT: Y. McCullough
FILE: ASPG	APP'D: J. Ragan
JOB: X	DATE: 11/4/24

Lights are handcrafted.
Dimensions may vary by 1/4"

B.T.U. Rating
Natural Gas: 5460 B.T.U.
Propane: 4160 B.T.U.