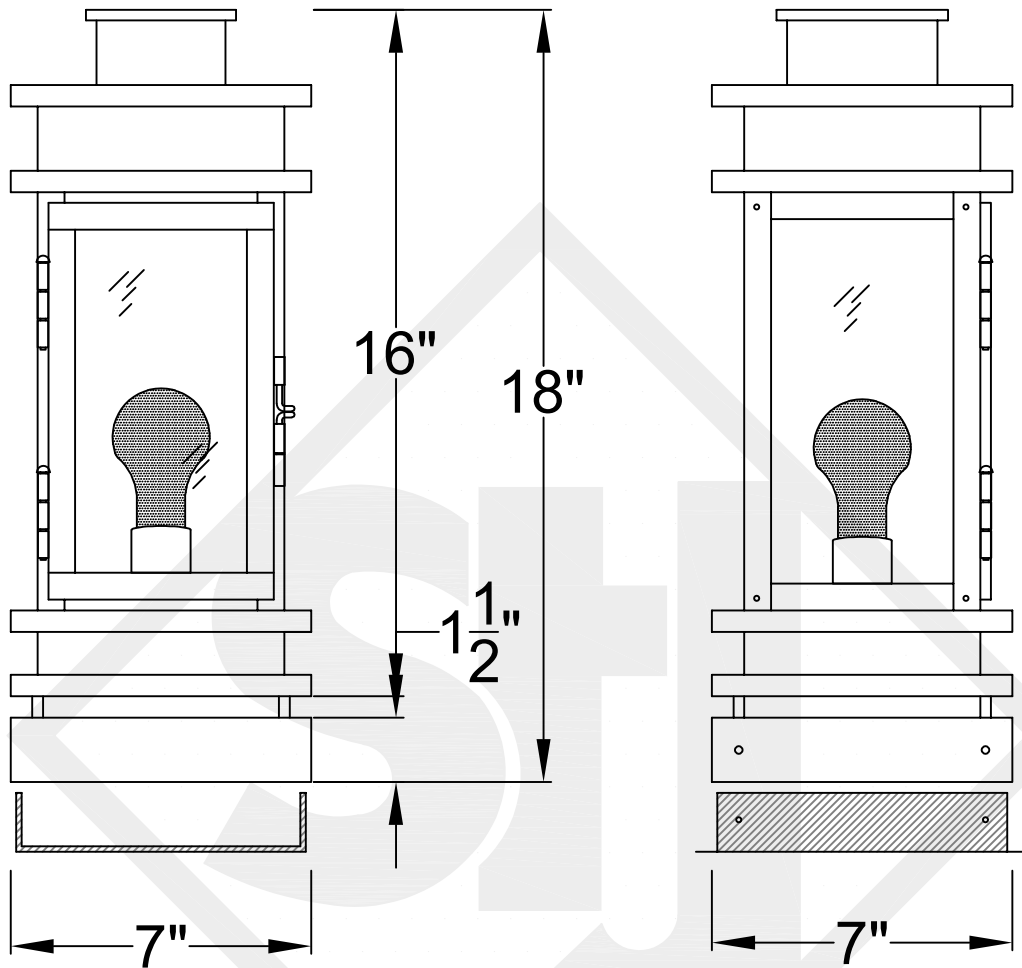


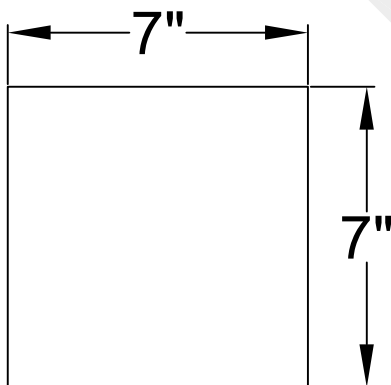
SOMERSET MINI COPPER PIER MOUNT



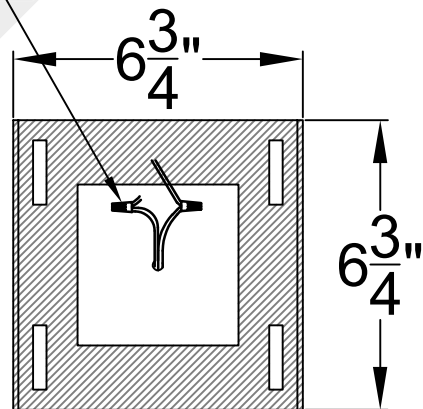
Front View

Side View

Smooth(+) & Ribbed(-)
to power source



Pier Mount



Steel Insert

*** No Gas**



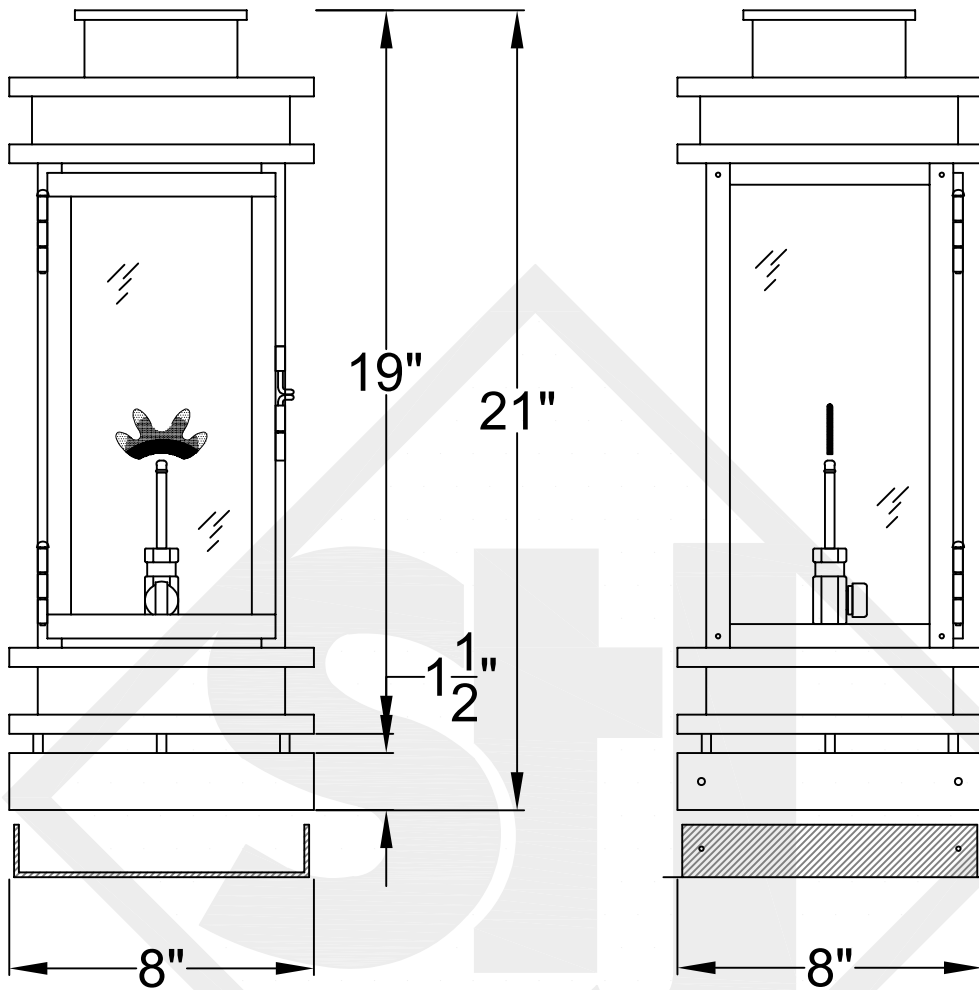
St. James
LIGHTING

SCALE: N.T.S.	DRAFT: Y. McCullough
FILE: SOMMINI	APP'D: J. Ragan
JOB: X	DATE: 10/21/24

Lights are handcrafted.
Dimensions may vary by 1/4"

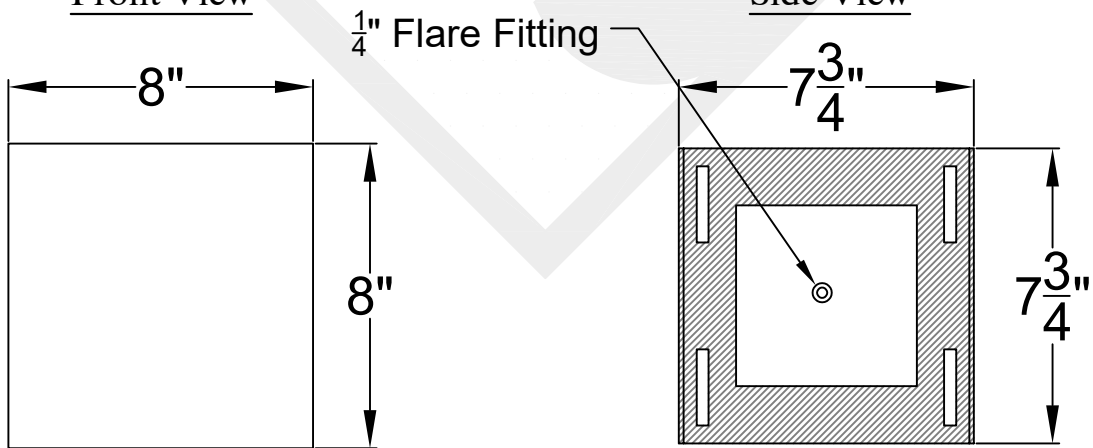
UL Certified
Candelabra- Max 60 Watt Bulb
Edison- Max 660 Watt Bulb

SOMERSET SMALL COPPER PIER MOUNT



Front View

Side View



Pier Mount

Steel Insert



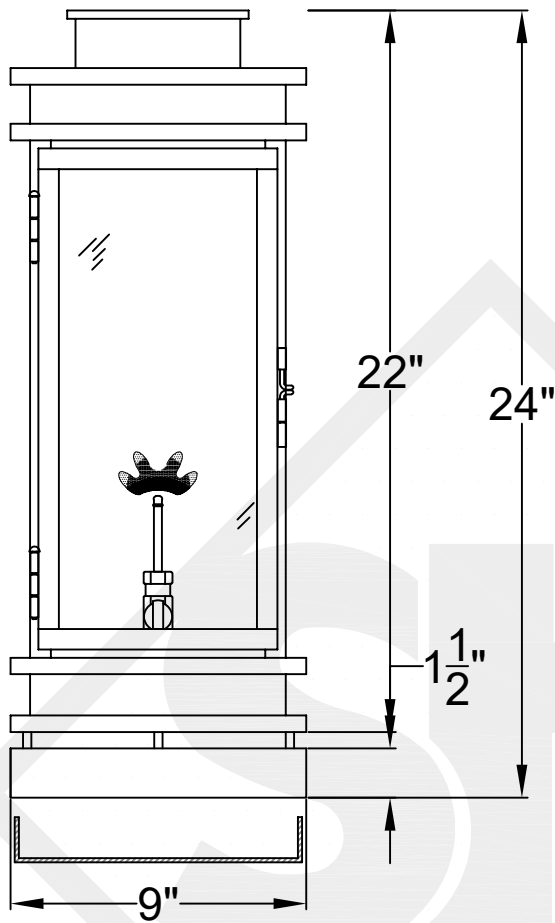
St. James
LIGHTING

SCALE: N.T.S.	DRAFT: Y. McCullough
FILE: SOMS	APP'D: J. Ragan
JOB: X	DATE: 10/21/24

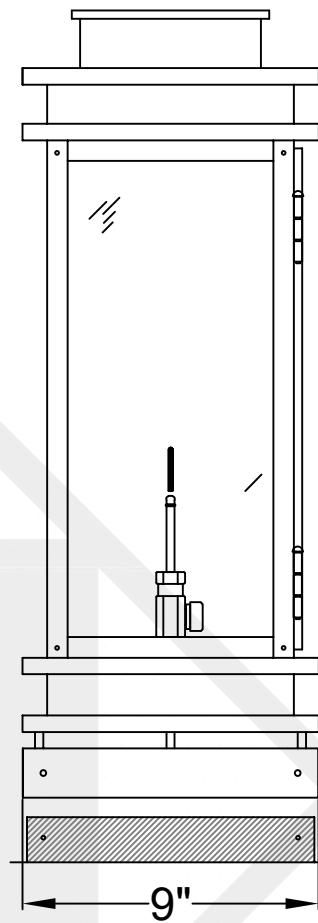
Lights are handcrafted.
Dimensions may vary by 1/4"

UL Certified
Candelabra- Max 60 Watt Bulb
Edison- Max 660 Watt Bulb

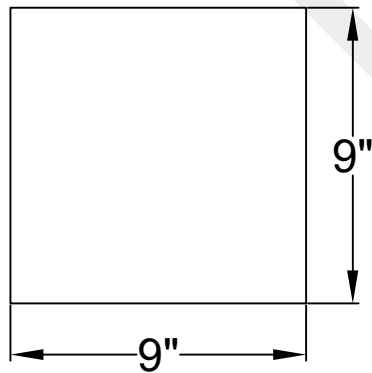
SOMERSET MEDIUM COPPER PIER MOUNT



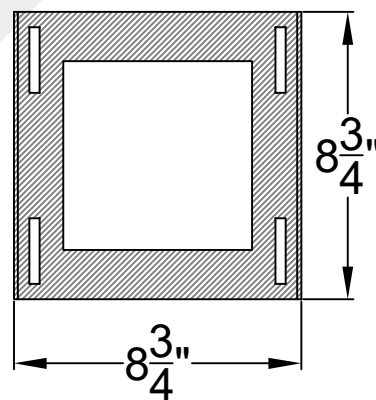
Front View



Side View



Pier Mount



Steel Insert



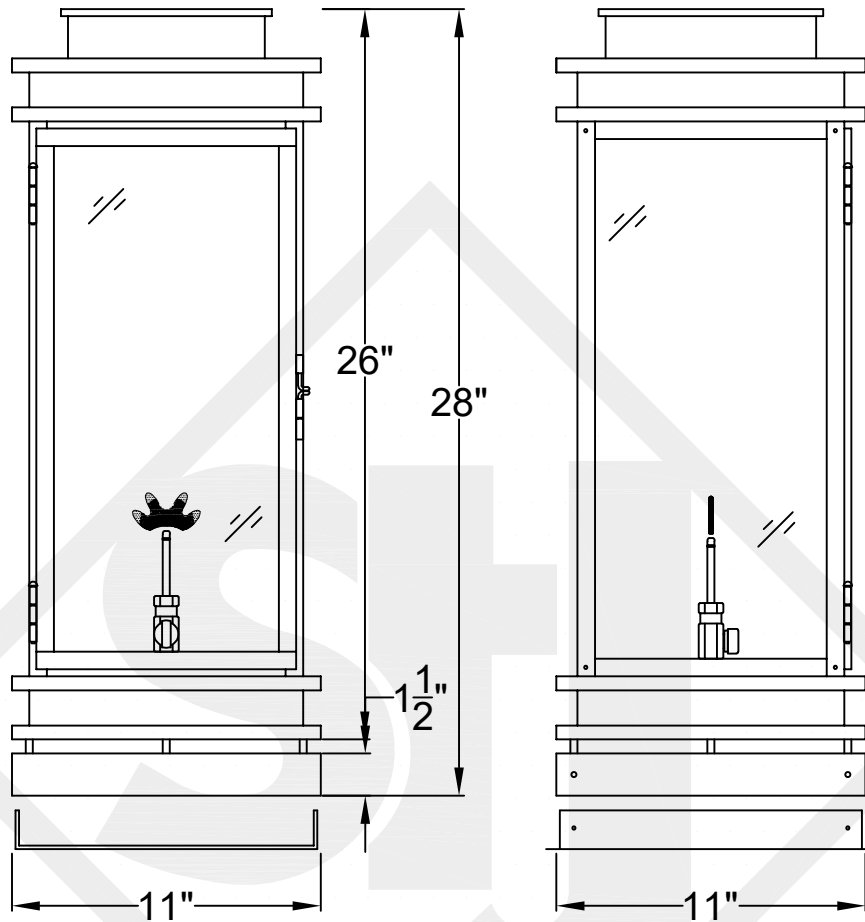
St. James
LIGHTING

SCALE: N.T.S.	DRAFT: Y. McCullough
FILE: SOMM	APP'D: J. Ragan
JOB: X	DATE: 10/21/24

Lights are handcrafted.
Dimensions may vary by 1/4"

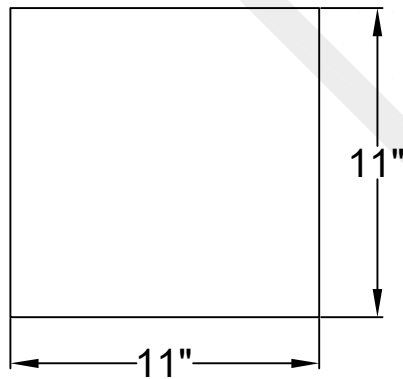
UL Certified
Candelabra- Max 60 Watt Bulb
Edison- Max 660 Watt Bulb

SOMERSET LARGE COPPER PIER MOUNT

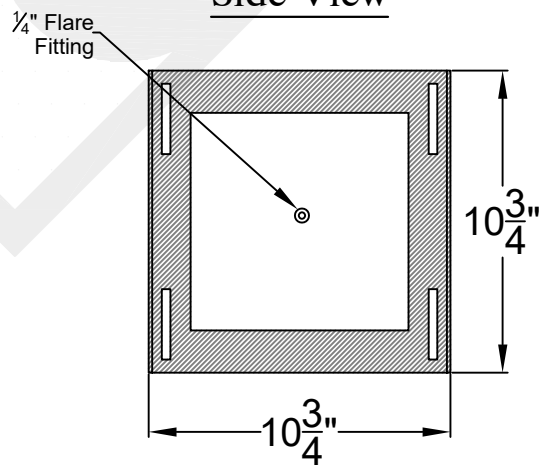


Front View

Side View



Pier Mount



Steel Insert



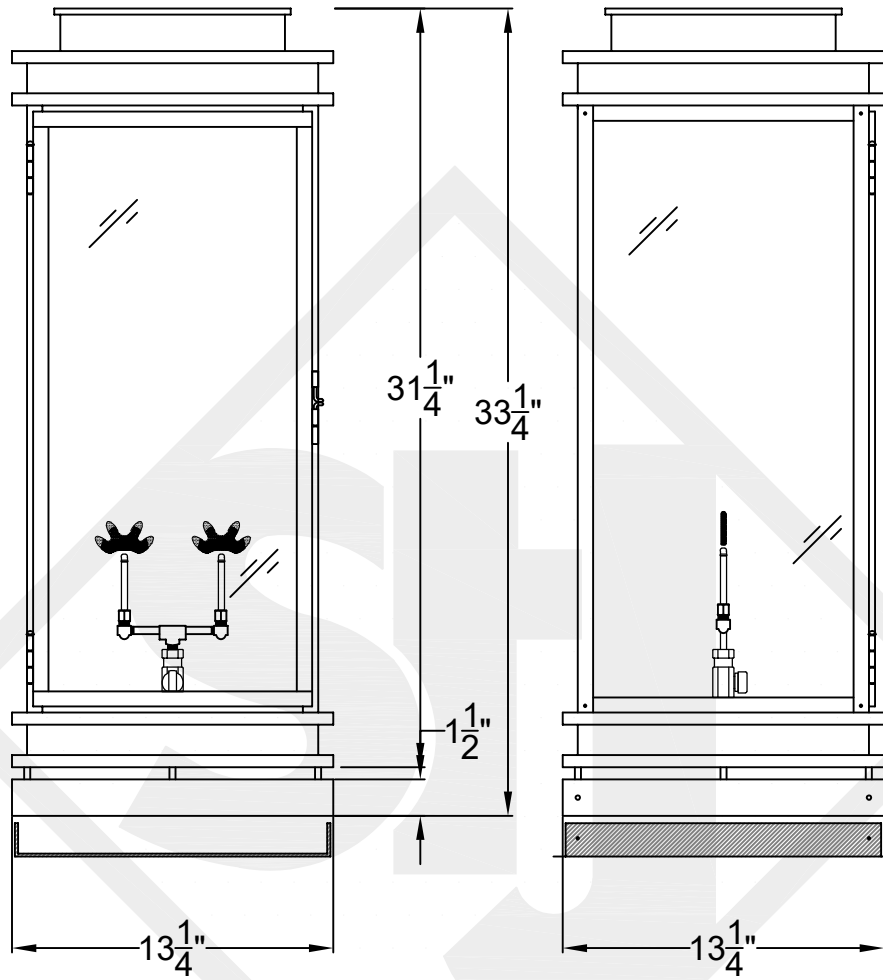
St. James
LIGHTING

SCALE: N.T.S.	DRAFT: Y. McCullough
FILE: SOML	APP'D: J. Ragan
JOB: X	DATE: 10/21/24

Lights are handcrafted.
Dimensions may vary by 1/4"

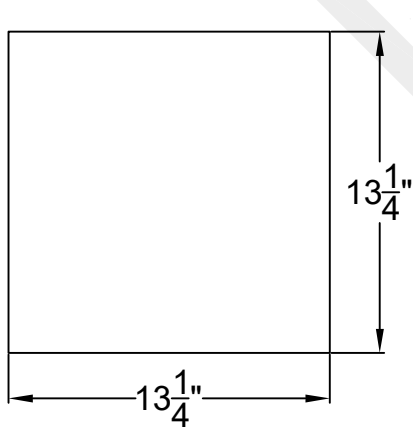
B.T.U. Rating
Natural Gas: 2730 B.T.U.
Propane: 2080 B.T.U.

SOMERSET GRANDE COPPER PIER MOUNT

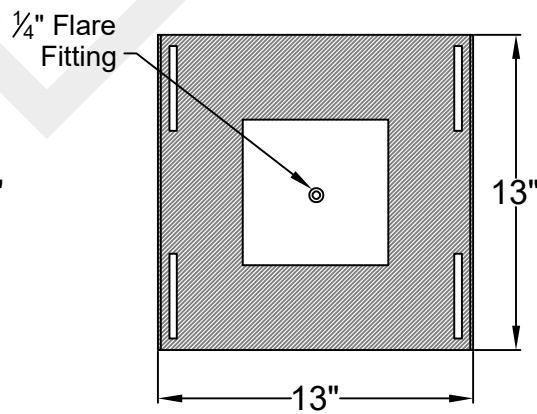


Front View

Side View



Pier Mount



Steel Insert



St. James
LIGHTING

SCALE: N.T.S.	DRAFT: Y. McCullough
FILE: SOMG	APP'D: J. Ragan
JOB: X	DATE: 10/22/24

Lights are handcrafted.
Dimensions may vary by 1/4"

B.T.U. Rating
Natural Gas: 5460 B.T.U.
Propane: 4160 B.T.U.