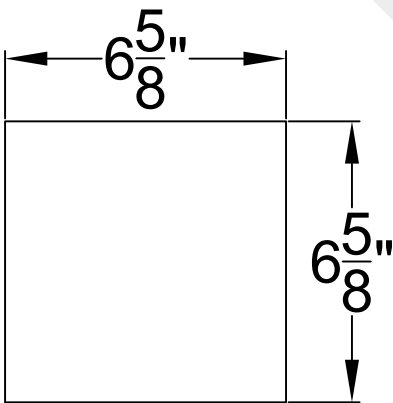
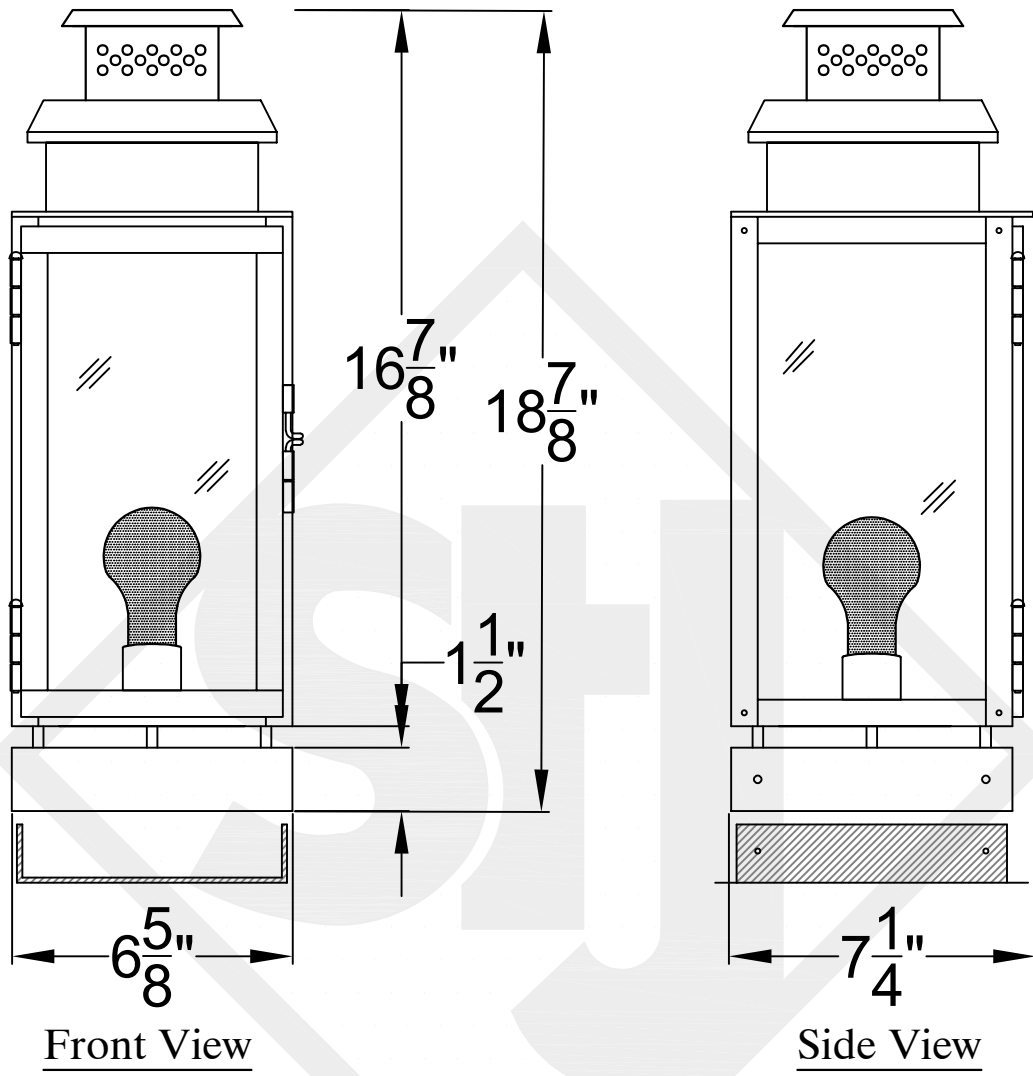
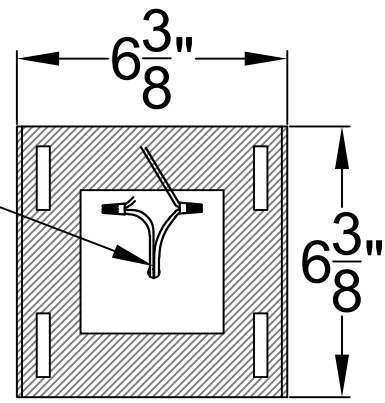


CHICAGO MINI COPPER PIER MOUNT



Black(+) & White(-)
to power source



Pier Mount

Steel Insert



St. James
LIGHTING

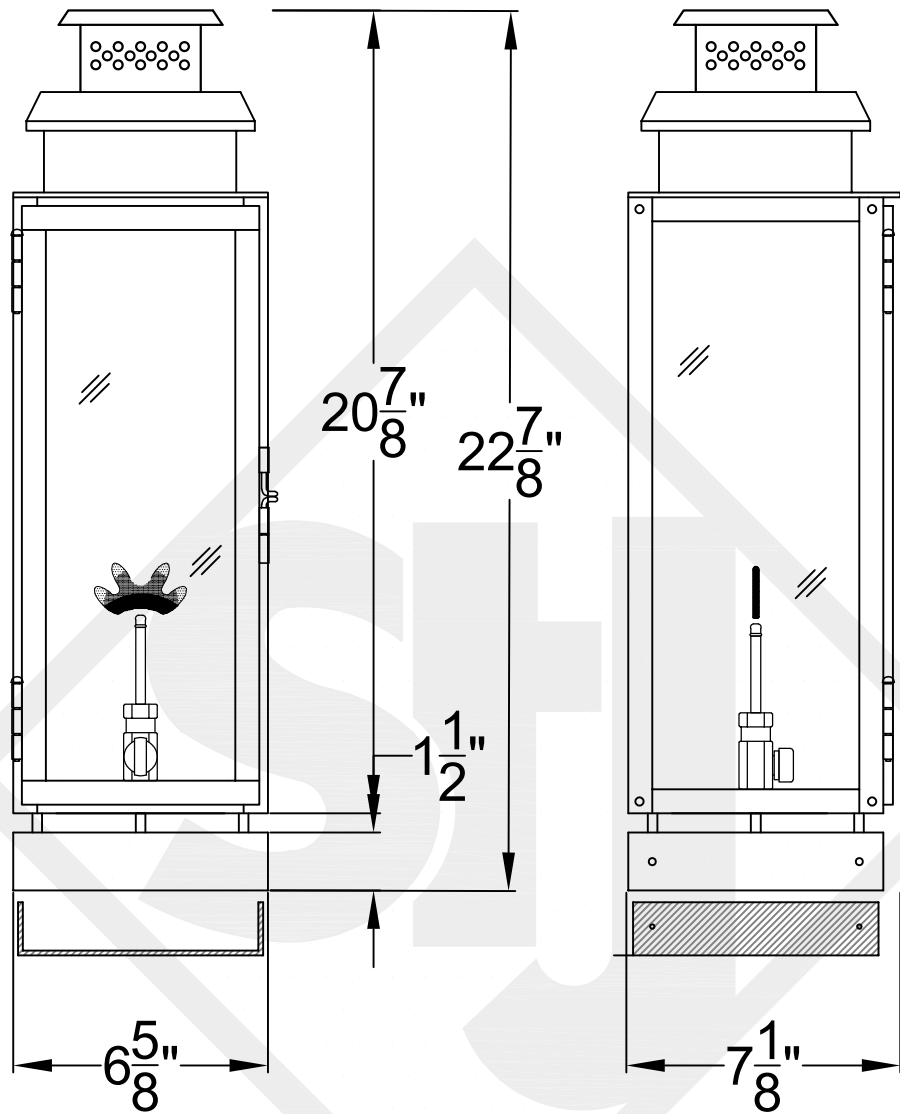
SCALE: N.T.S. DRAFT: Y. McCullough
FILE: CHIMINI APP'D: J. Ragan
JOB: X DATE: 11/4/24

Lights are handcrafted.
Dimensions may vary by 1/4"

Mini not Available in Gas

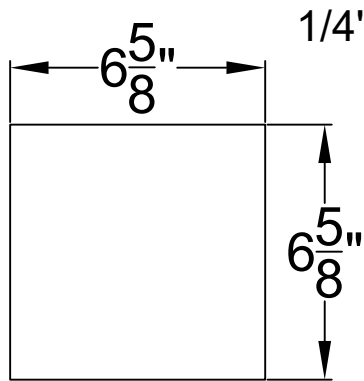
UL Certified
Candelabra- Max 60 Watt Bulb
Edison- Max 660 Watt Bulb

CHICAGO SMALL COPPER POST MOUNT

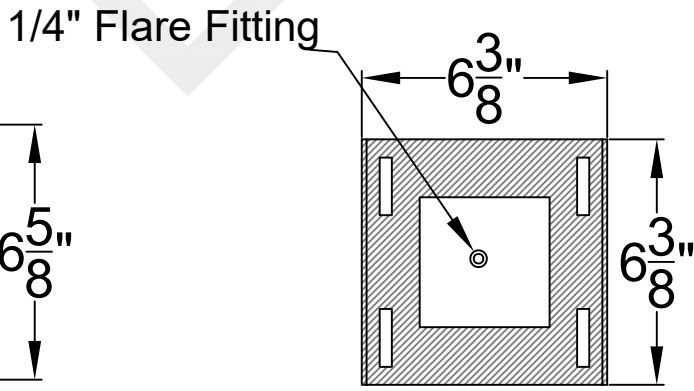


Front View

Side View



Pier Mount



Steel Insert



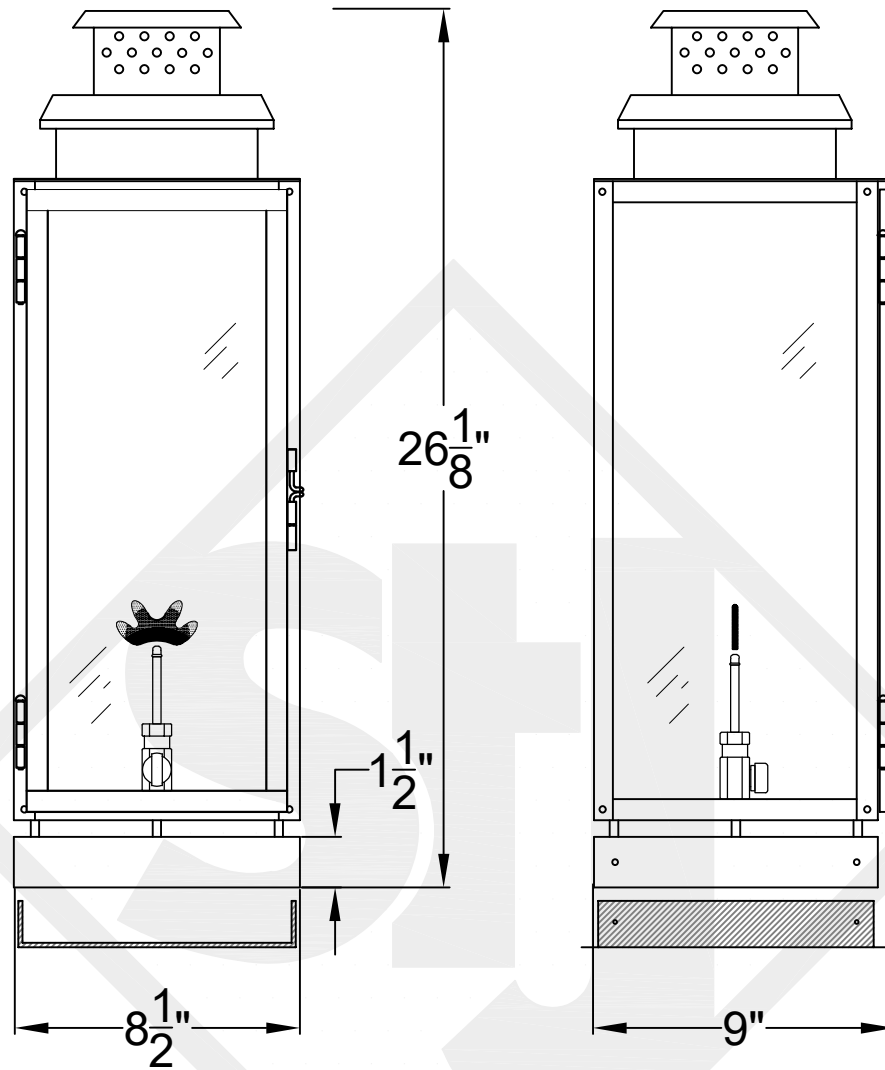
St. James
LIGHTING

SCALE: N.T.S.	DRAFT: Y. McCullough
FILE: CHIS	APP'D: J. Ragan
JOB: X	DATE: 3/26/24

Lights are handcrafted.
Dimensions may vary by $\frac{1}{4}$ "

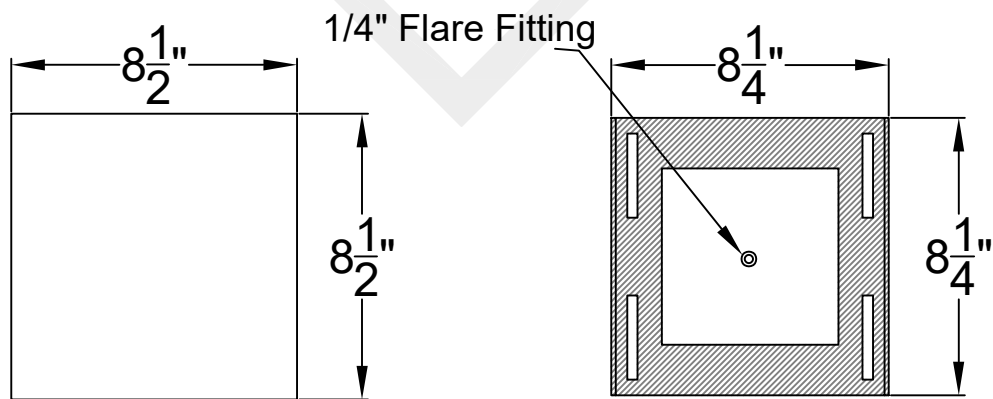
B.T.U. Rating
Natural Gas: 2730 B.T.U.
Propane: 2080 B.T.U.

CHICAGO MEDIUM COPPER PIER MOUNT



Front View

Side View



Pier Mount

Steel Insert



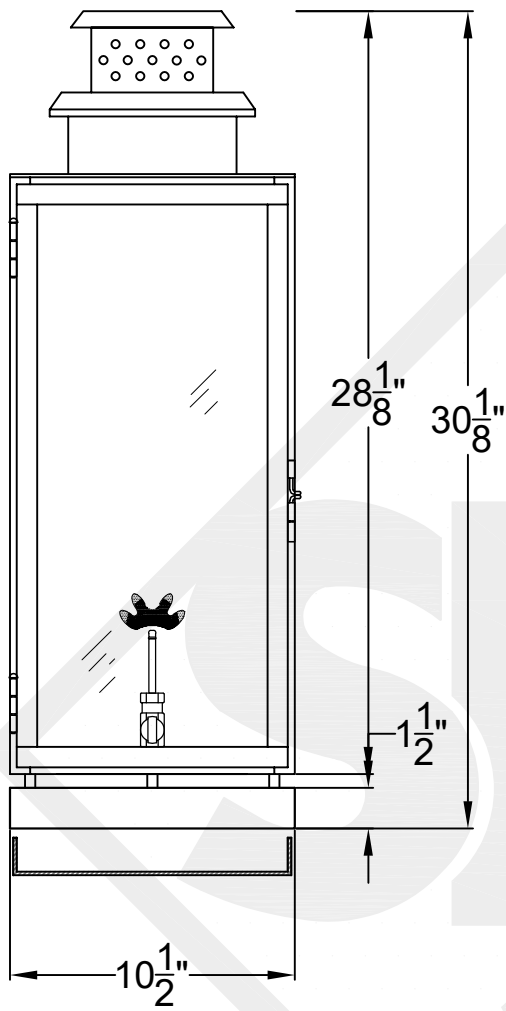
St. James
LIGHTING

SCALE: N.T.S.	DRAFT: Y. McCullough
FILE: CHIM	APP'D: J. Ragan
JOB: X	DATE: 11/12/24

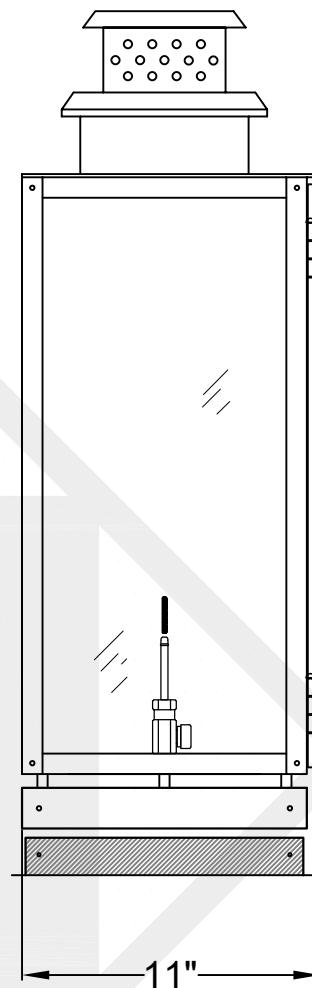
Lights are handcrafted.
Dimensions may vary by 1/4"

B.T.U. Rating
Natural Gas: 2730 B.T.U.
Propane: 2080 B.T.U.

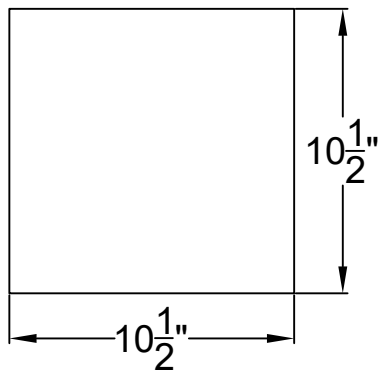
CHICAGO LARGE COPPER PIER MOUNT



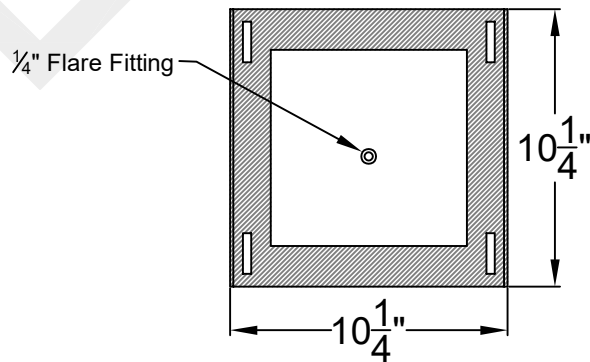
Front View



Side View



Pier Mount



Steel Insert



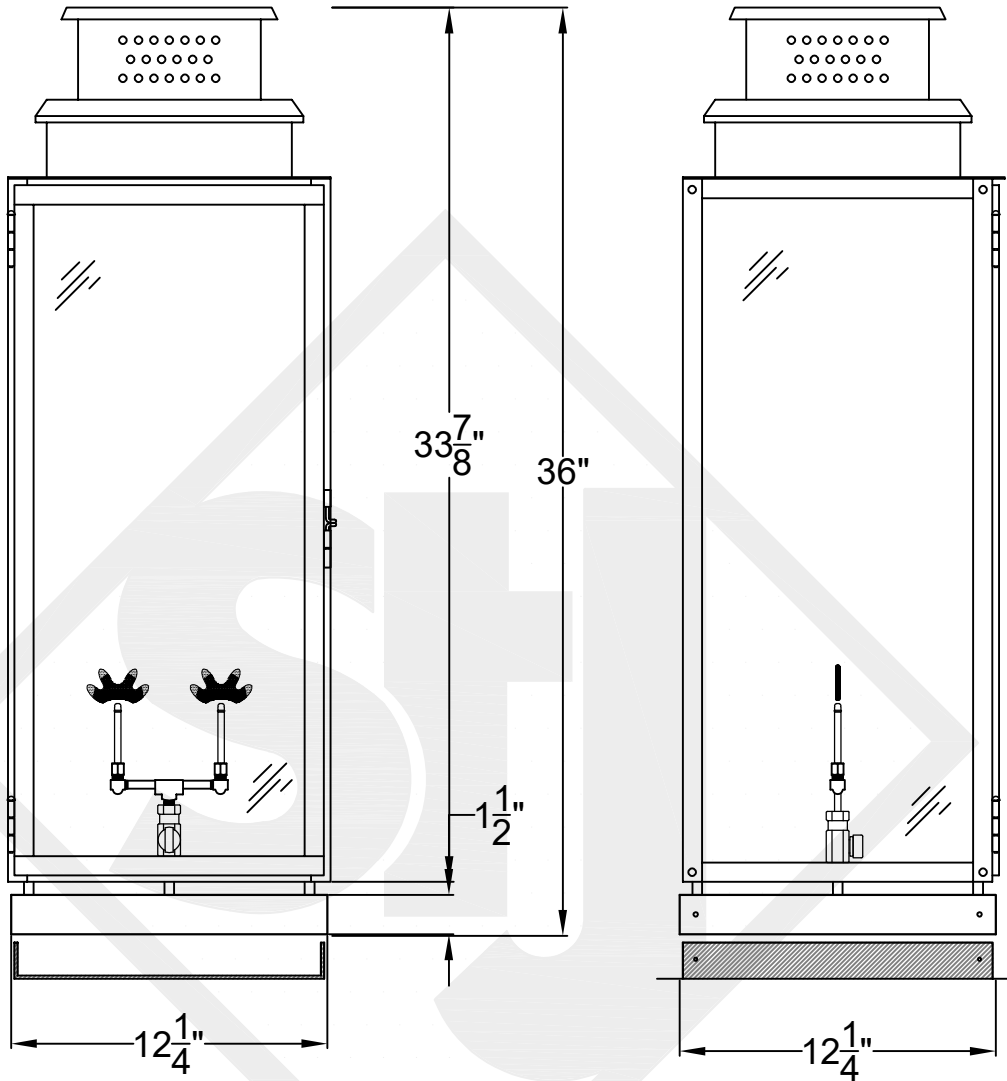
St. James
LIGHTING

SCALE: N.T.S.	DRAFT: Y. McCullough
FILE: CHIL	APP'D: J. Ragan
JOB: X	DATE: 11/12/24

Lights are handcrafted.
Dimensions may vary by 1/4"

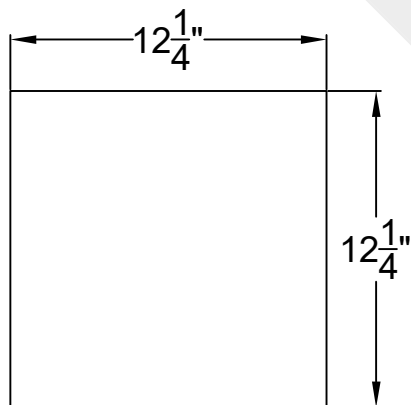
B.T.U. Rating
Natural Gas: 2730 B.T.U.
Propane: 2080 B.T.U.

CHICAGO GRANDE COPPER PIER MOUNT

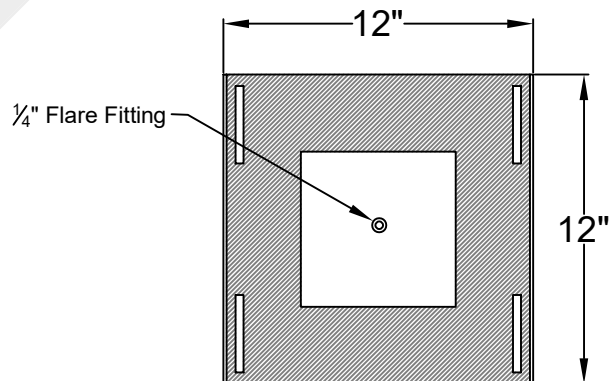


Front View

Side View



Pier Mount



Steel Insert



St. James
LIGHTING

SCALE: N.T.S. DRAFT: Y. McCullough
FILE: CHIG APP'D: J. Ragan
JOB: X DATE: 11/12/24

Lights are handcrafted.
Dimensions may vary by 1/4"

B.T.U. Rating
Natural Gas: 5460 B.T.U.
Propane: 4160 B.T.U.