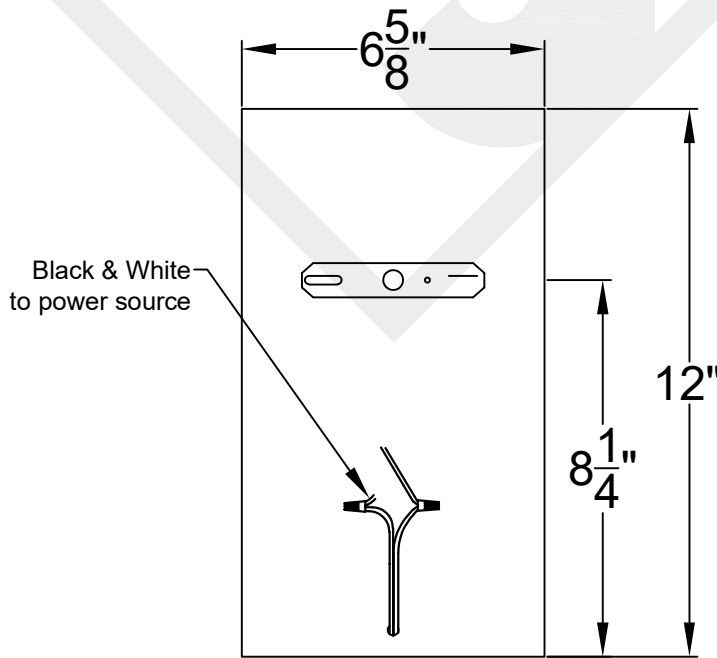
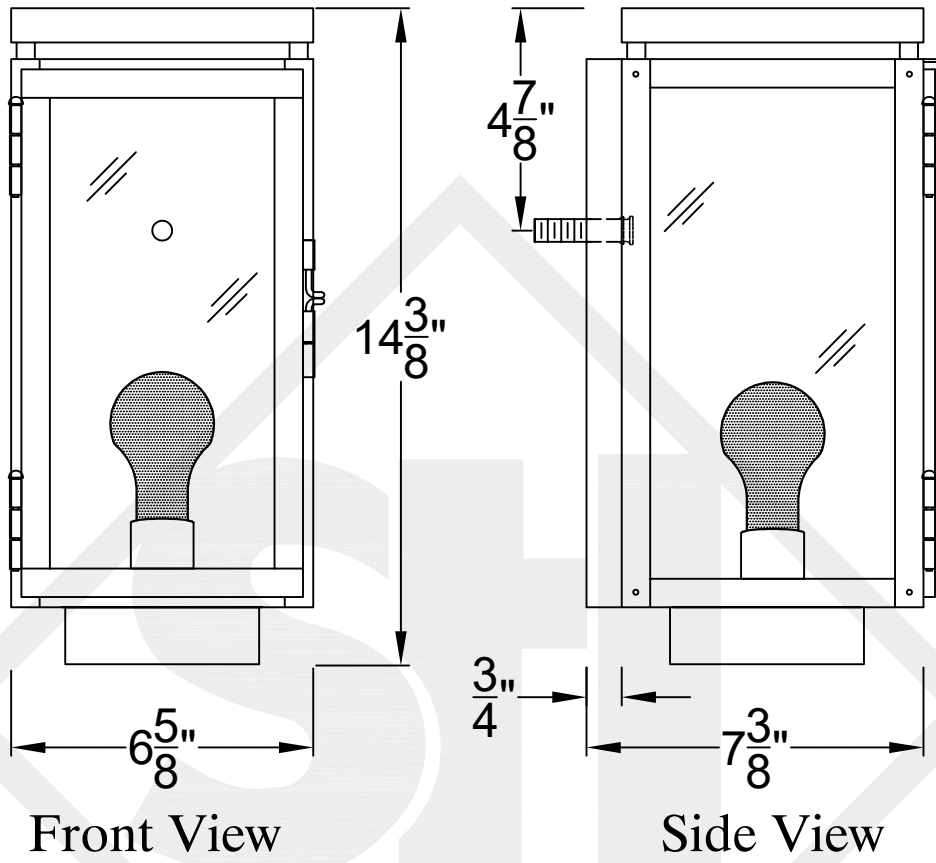


FRISCO MINI COPPER WALL BRACKET



Backplate



St. James
LIGHTING

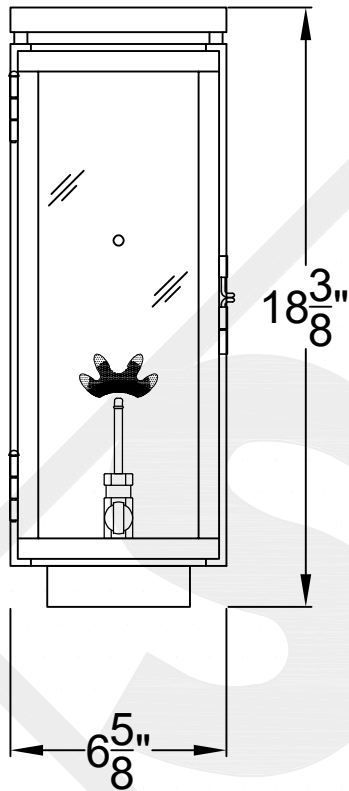
SCALE: N.T.S.	DRAFT: Y. McCullough
FILE: FRIMINI	APP'D: J. Ragan
JOB: X	DATE: 11/20/23

Lights are handcrafted.
Dimensions may vary by 1/4"

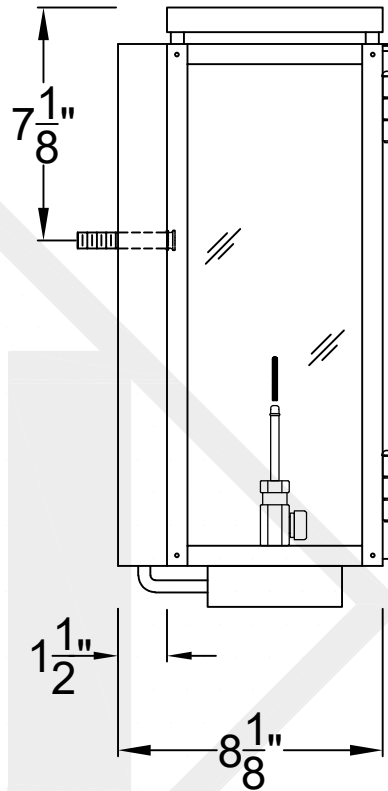
UL Certified
Candelabra- Max 60 Watt Bulb
Edison- Max 660 Watt Bulb

Mini not Available in Gas

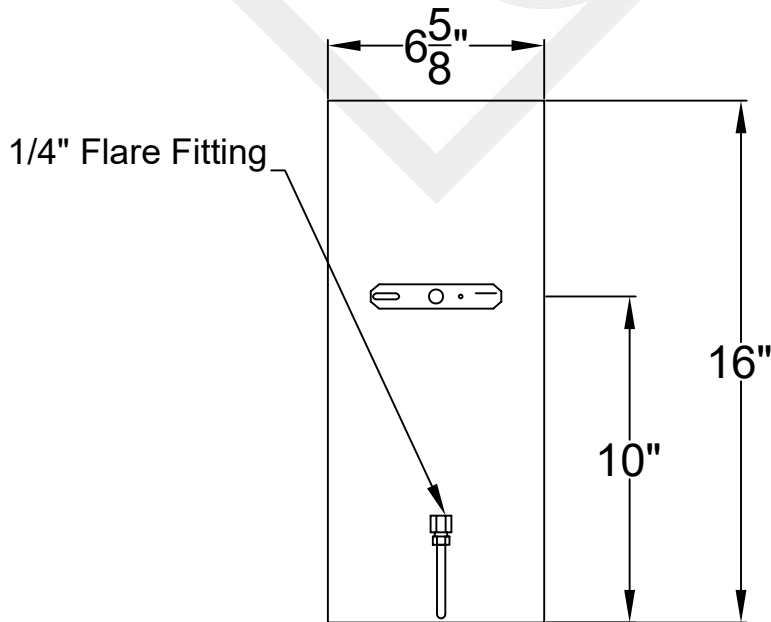
FRISCO SMALL COPPER WALL BRACKET



Front View



Side View



Backplate



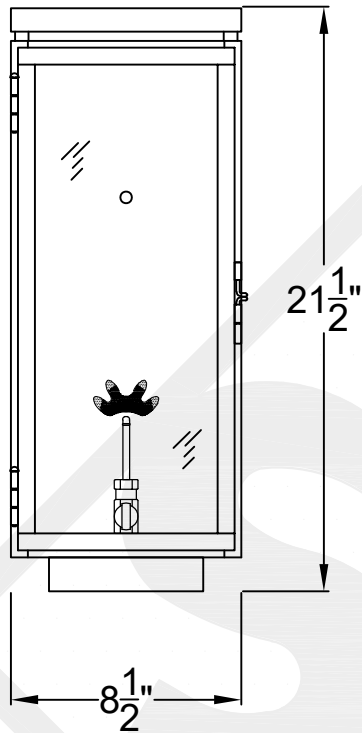
St. James
LIGHTING

SCALE: N.T.S.	DRAFT: Y. McCullough
FILE: FRIS	APP'D: J. Ragan
JOB: X	DATE: 11/20/23

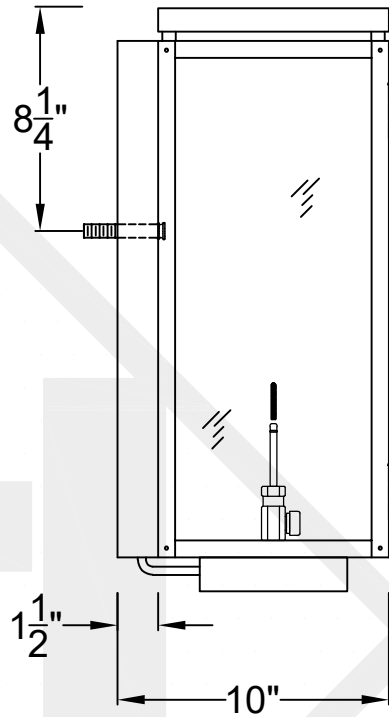
Lights are handcrafted.
Dimensions may vary by 1/4"

B.T.U. Rating
Natural Gas: 2730 B.T.U.
Propane: 2080 B.T.U.

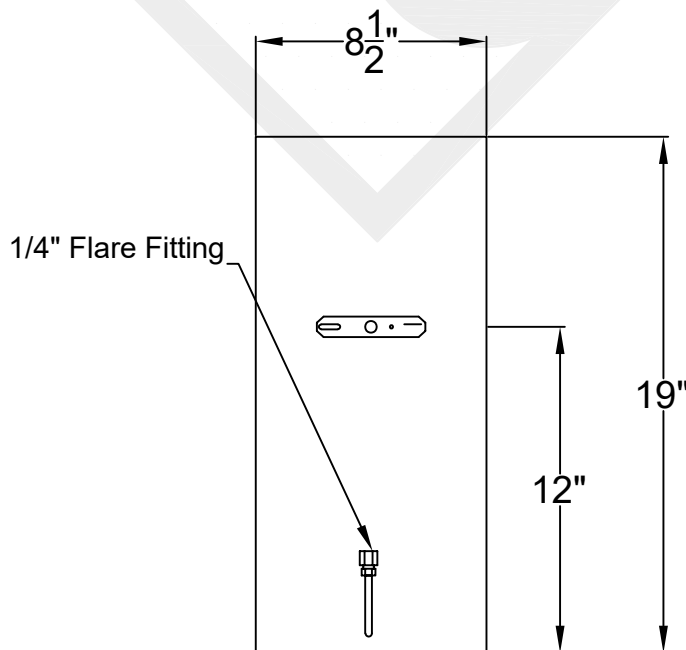
FRISCO MEDIUM COPPER WALL BRACKET



Front View



Side View



Backplate



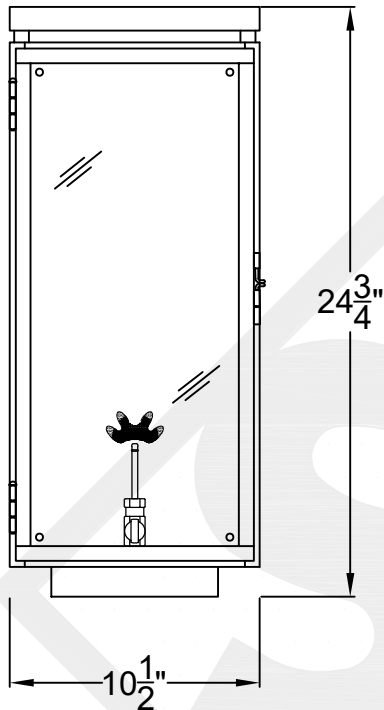
St. James
LIGHTING

SCALE: N.T.S.	DRAFT: Y. McCullough
FILE: FRIM	APP'D: J. Ragan
JOB: X	DATE: 11/20/23

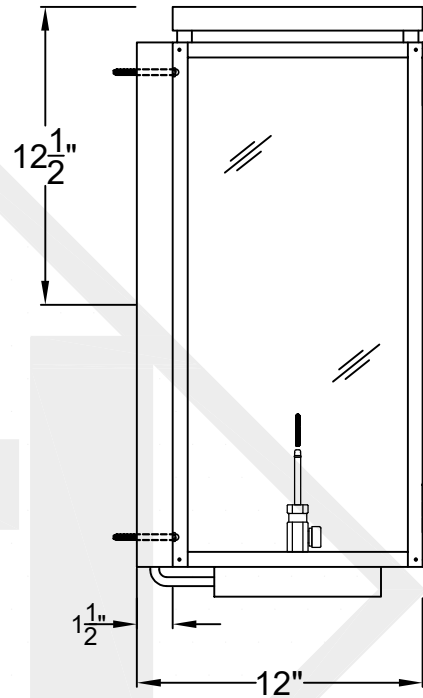
Lights are handcrafted.
Dimensions may vary by 1/4"

B.T.U. Rating
Natural Gas: 2730 B.T.U.
Propane: 2080 B.T.U.

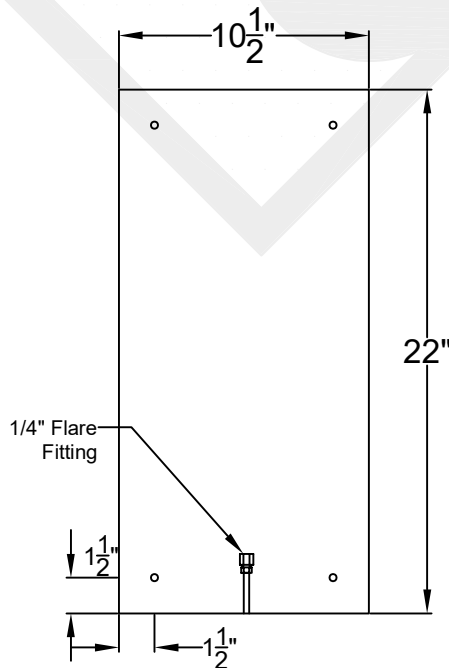
FRISCO LARGE COPPER WALL BRACKET



Front View



Side View



Backplate



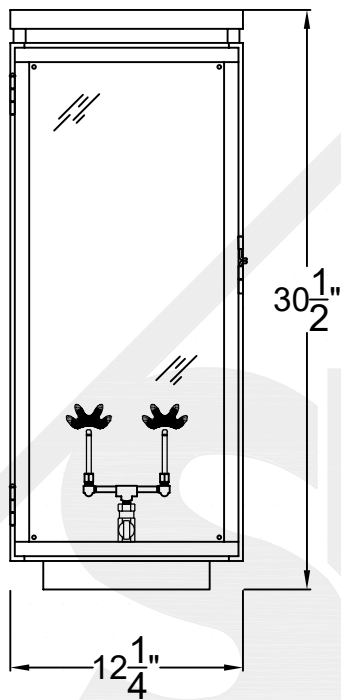
St. James
LIGHTING

SCALE: N.T.S.	DRAFT: Y. McCullough
FILE: FRIL	APP'D: J. Ragan
JOB: X	DATE: 12/6/23

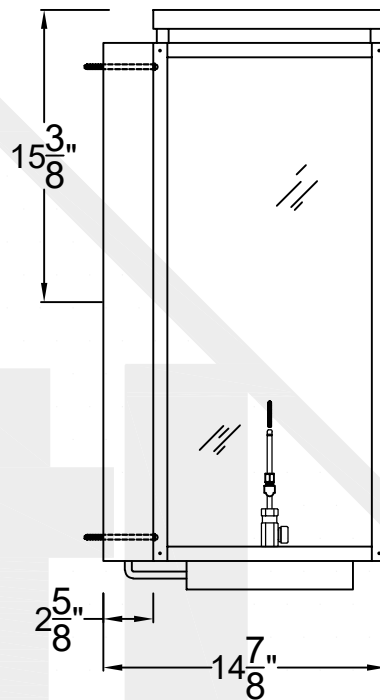
Lights are handcrafted.
Dimensions may vary by 1/4"

B.T.U. Rating
Natural Gas: 2730 B.T.U.
Propane: 2080 B.T.U.

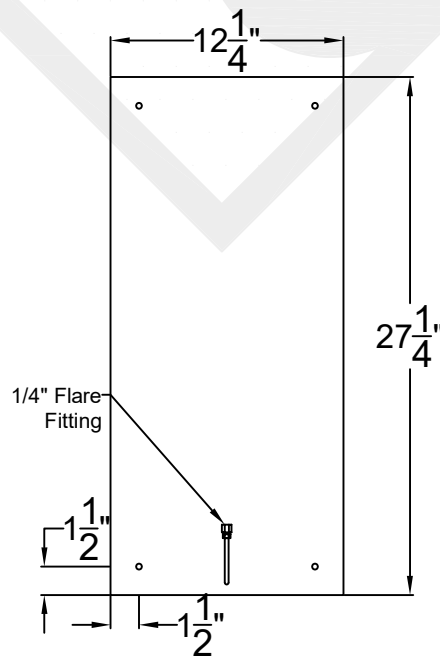
FRISCO GRANDE COPPER WALL BRACKET



Front View



Side View



Backplate



St. James
LIGHTING

SCALE: N.T.S.	DRAFT: Y. McCullough
FILE: FRIG	APP'D: J. Ragan
JOB: X	DATE: 2/9/24

Lights are handcrafted.
Dimensions may vary by 1/4"

B.T.U. Rating
Natural Gas: 5460 B.T.U.
Propane: 4160 B.T.U.