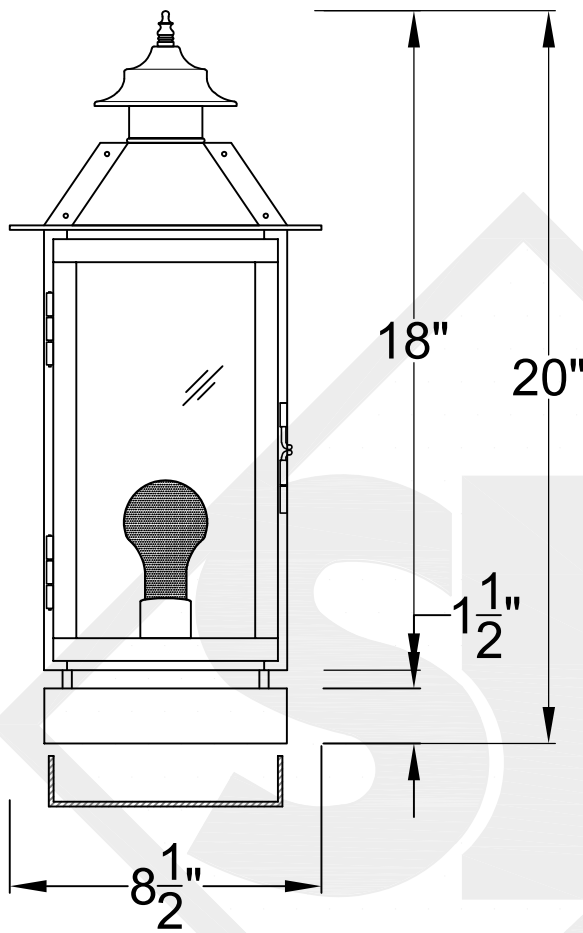
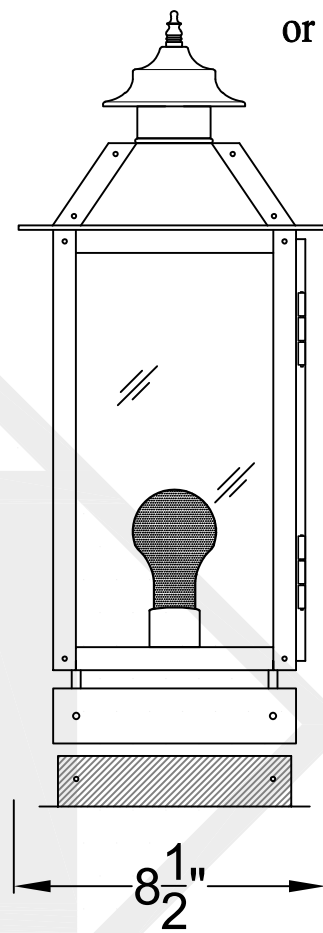


# SWEET WATER MINI COPPER PIER MOUNT

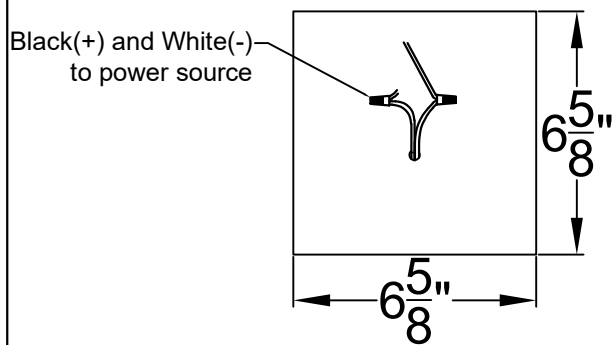
Available w/ Solid  
or Glass Top



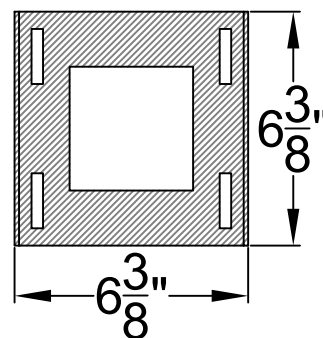
Front View



Side View



Pier Mount



Steel Insert



St. James  
LIGHTING

|               |                      |
|---------------|----------------------|
| SCALE: N.T.S. | DRAFT: Y. McCullough |
| FILE: SWEMINI | APP'D: J. Ragan      |
| JOB: X        | DATE: 11/14/24       |

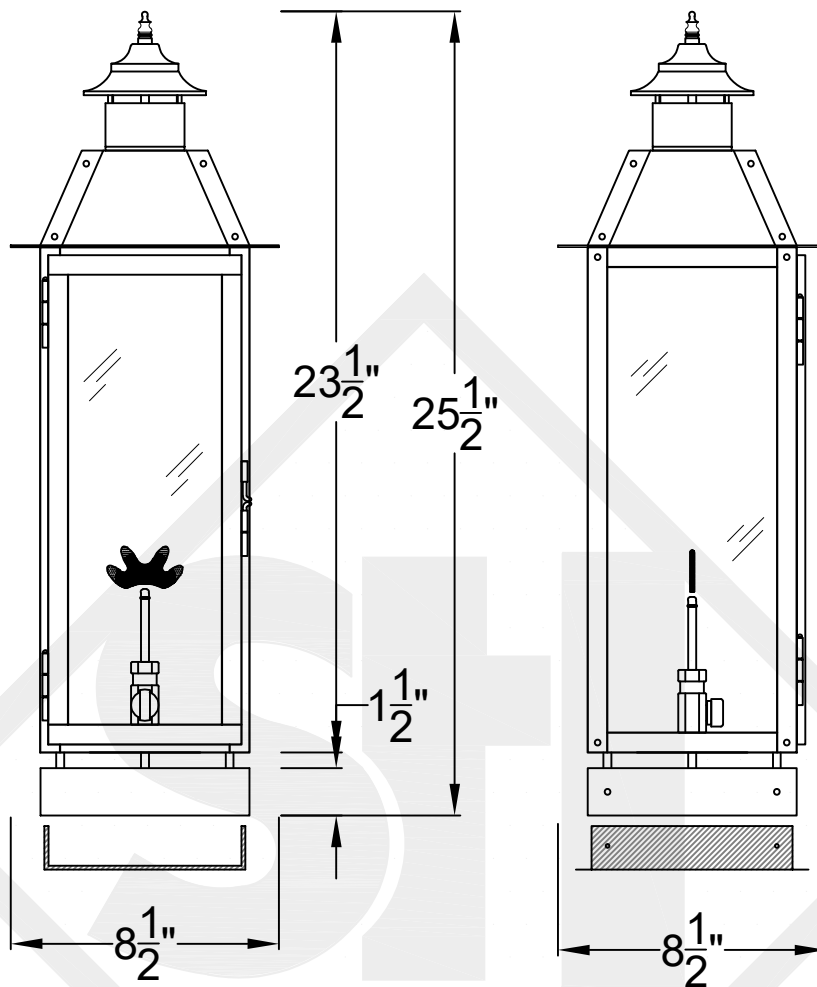
Lights are handcrafted.  
Dimensions may vary by 1/4"

UL Certified  
Candelabra- Max 60 Watt Bulb  
Edison- Max 660 Watt Bulb

Mini not Available in Gas

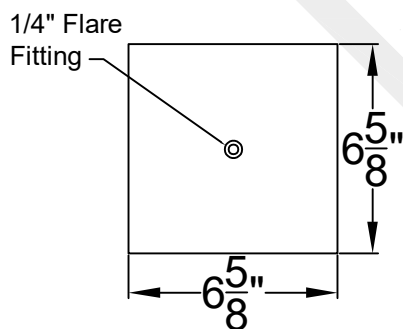
# SWEET WATER SMALL COPPER PIER MOUNT

Available w/ Solid  
or Glass Top

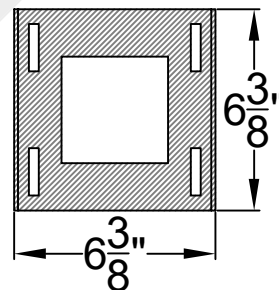


Front View

Side View



Pier Mount



Steel Insert



**St. James  
LIGHTING**

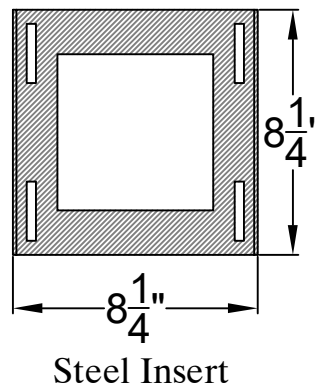
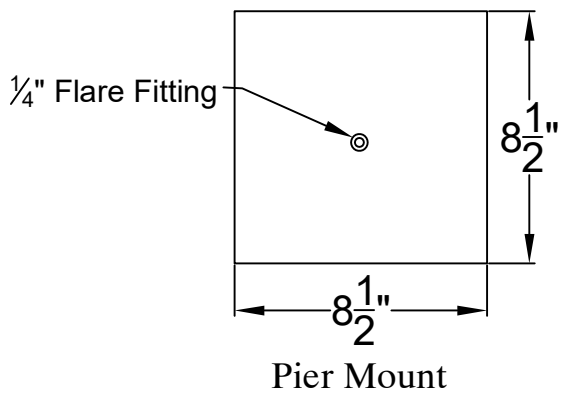
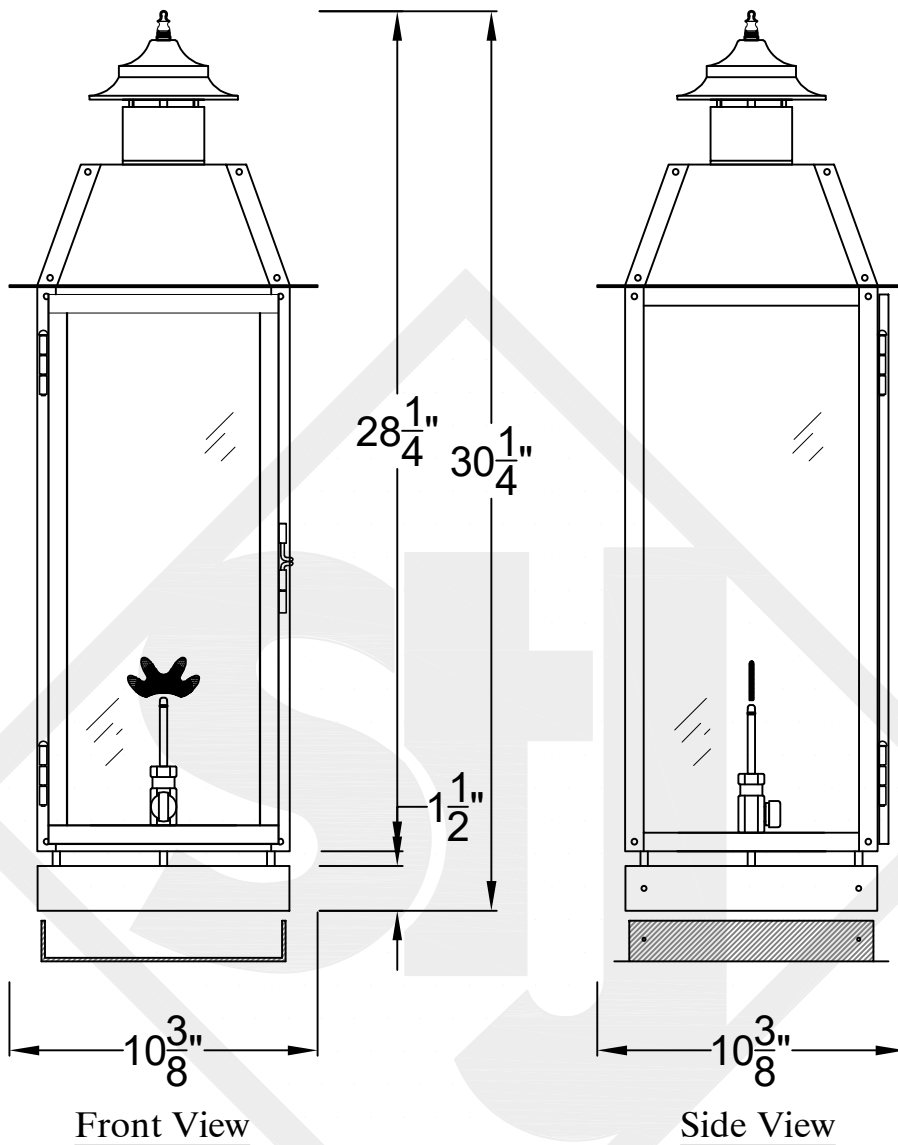
|               |                      |
|---------------|----------------------|
| SCALE: N.T.S. | DRAFT: Y. McCullough |
| FILE: SWES    | APP'D: J. Ragan      |
| JOB: X        | DATE: 11/14/24       |

Lights are handcrafted.  
Dimensions may vary by 1/4"

B.T.U. Rating  
Natural Gas: 2730 B.T.U.  
Propane: 2080 B.T.U.

# SWEET WATER MEDIUM COPPER PIER MOUNT

Available w/ Solid  
or Glass Top



**St. James  
LIGHTING**

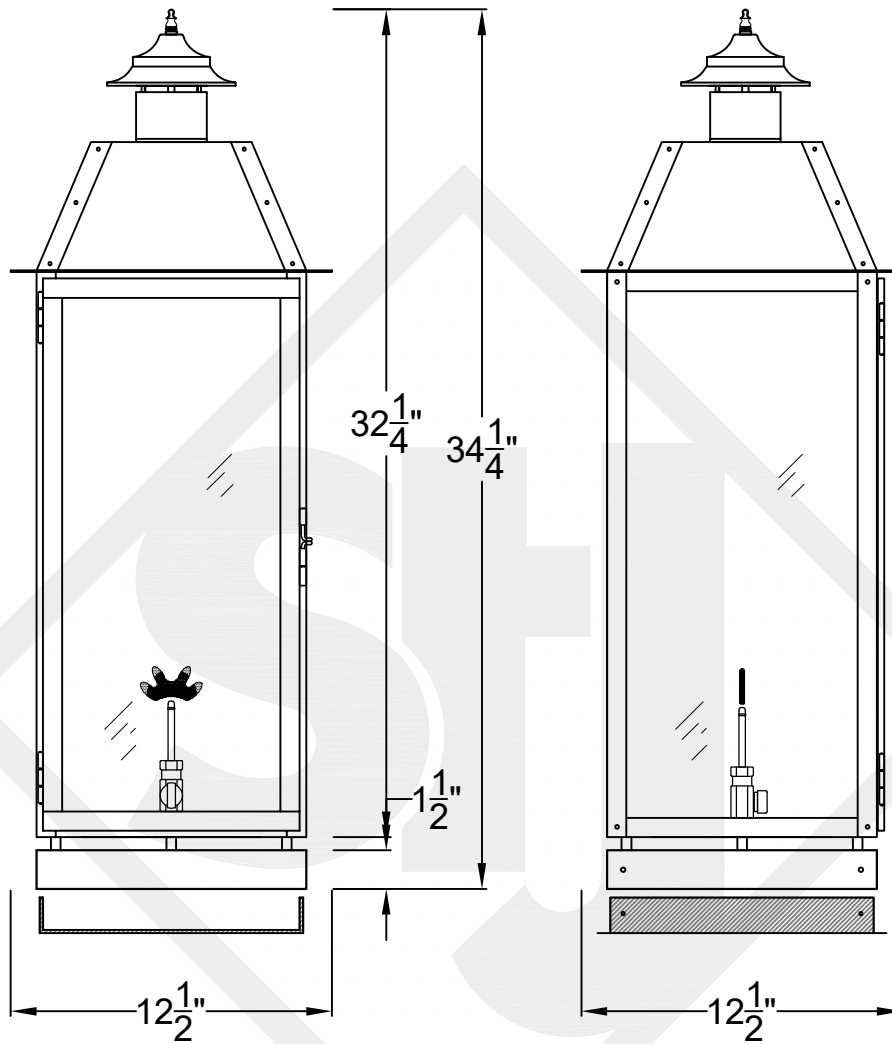
|               |                      |
|---------------|----------------------|
| SCALE: N.T.S. | DRAFT: Y. McCullough |
| FILE: SWEM    | APP'D: J. Ragan      |
| JOB: X        | DATE: 11/14/24       |

Lights are handcrafted.  
Dimensions may vary by 1/4"

B.T.U. Rating  
Natural Gas: 2730 B.T.U.  
Propane: 2080 B.T.U.

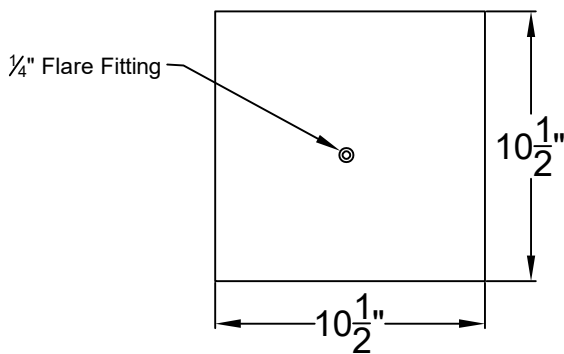
# SWEET WATER LARGE COPPER PIER MOUNT

Available w/ Solid or  
Glass Top

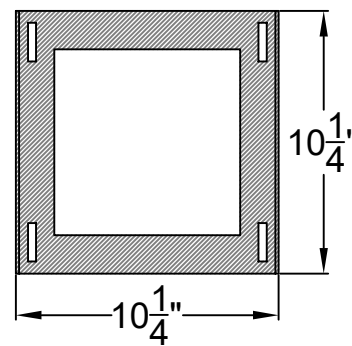


Front View

Side View



Pier Mount



Steel Insert



**St. James  
LIGHTING**

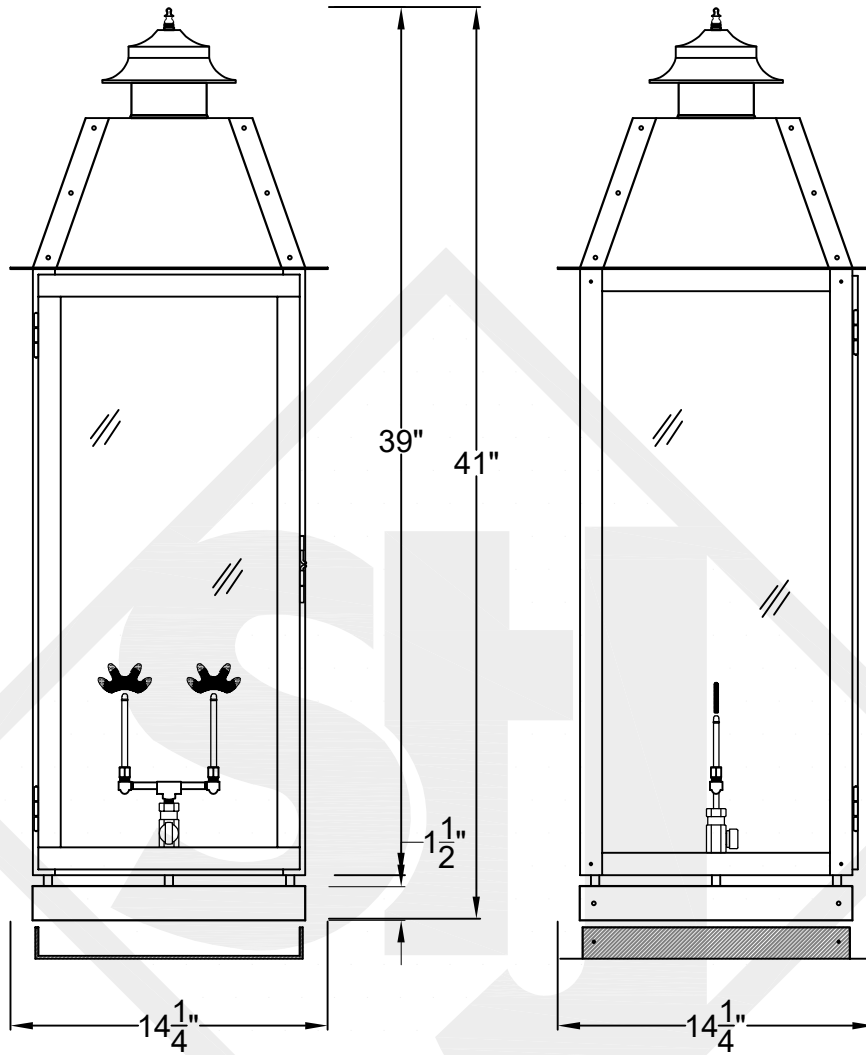
|               |                      |
|---------------|----------------------|
| SCALE: N.T.S. | DRAFT: Y. McCullough |
| FILE: SWEL    | APP'D: J. Ragan      |
| JOB: X        | DATE: 11/14/24       |

Lights are handcrafted.  
Dimensions may vary by 1/4"

B.T.U. Rating  
Natural Gas: 2730 B.T.U.  
Propane: 2080 B.T.U.

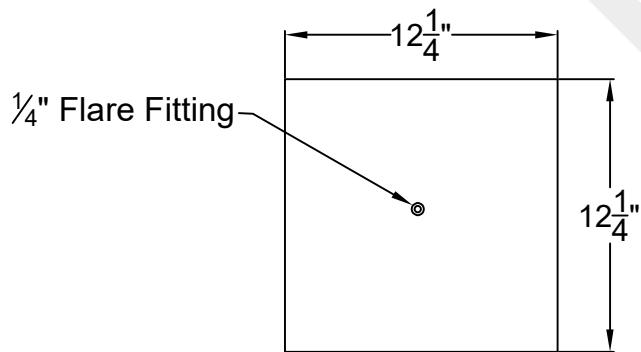
# SWEET WATER GRANDE COPPER PIER MOUNT

Available w/ Solid  
or Glass Top

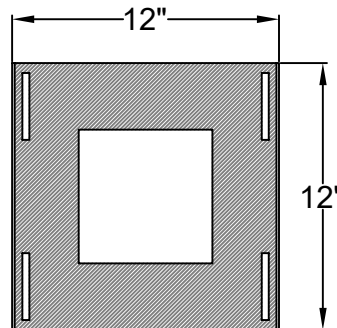


Front View

Side View



Pier Mount



Steel Insert



**St. James  
LIGHTING**

|               |                      |
|---------------|----------------------|
| SCALE: N.T.S. | DRAFT: Y. McCullough |
| FILE: SWEG    | APP'D: J. Ragan      |
| JOB: X        | DATE: 11/14/24       |

Lights are handcrafted.  
Dimensions may vary by 1/4"

B.T.U. Rating  
Natural Gas: 5460 B.T.U.  
Propane: 4160 B.T.U.