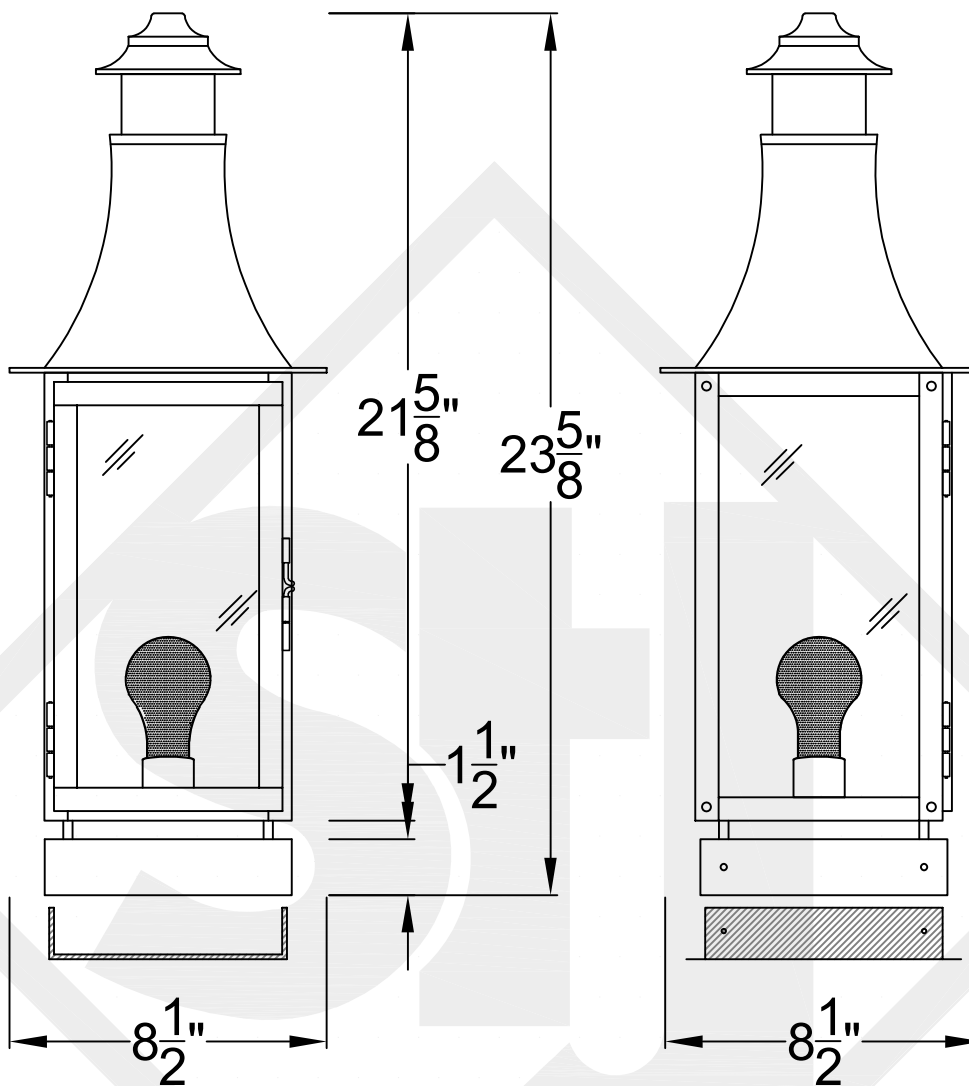
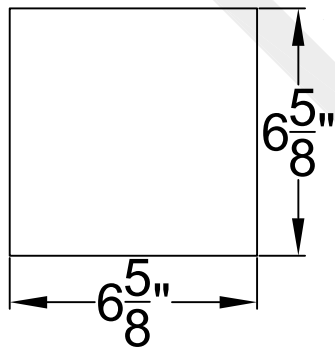


MADISON MINI COPPER PIER MOUNT

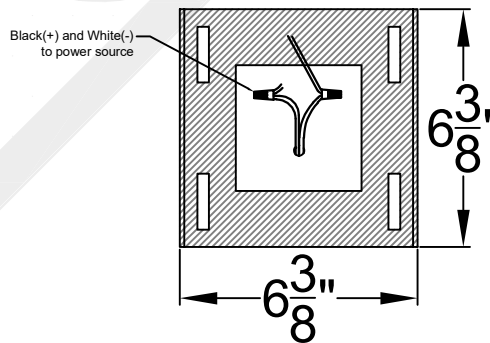


Front View

Side View



Pier Mount



Steel Insert



**St. James
LIGHTING**

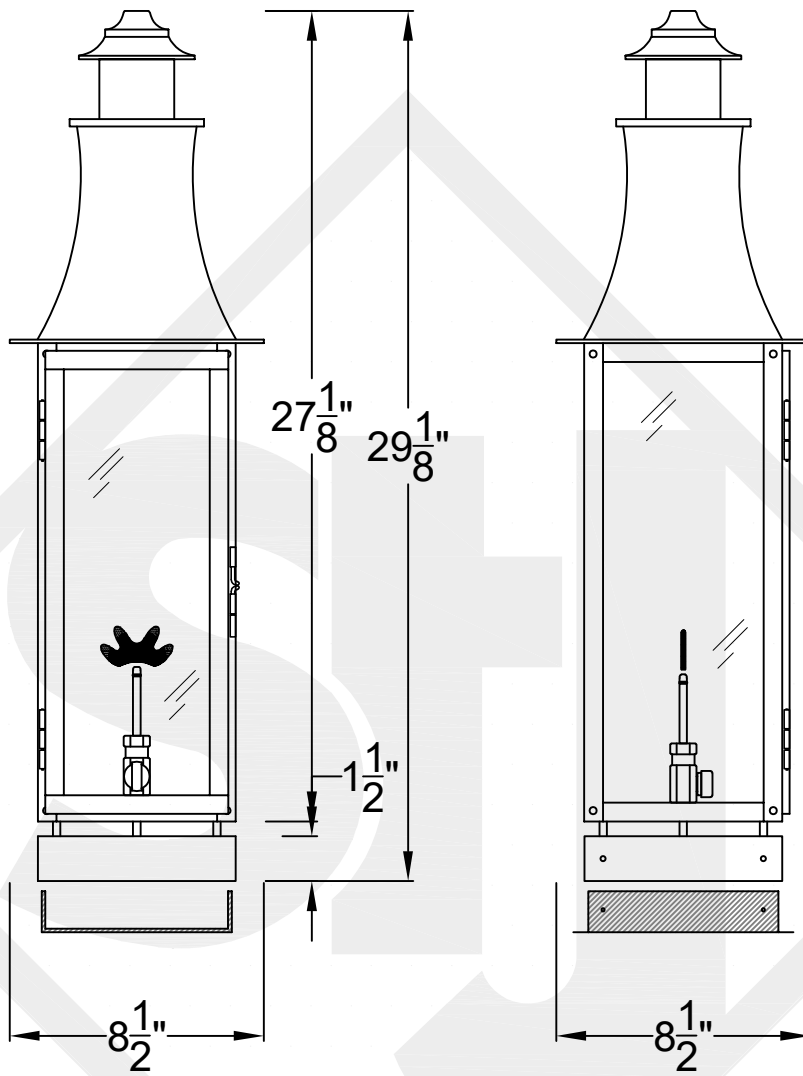
SCALE: N.T.S.	DRAFT: Y. McCullough
FILE: MADMINI	APP'D: J. Ragan
JOB: X	DATE: 11/12/24

Lights are handcrafted.
Dimensions may vary by 1/4"

Mini not Available in Gas

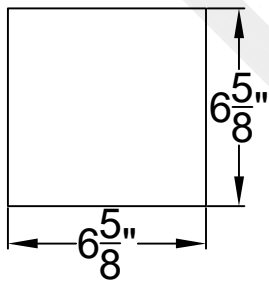
UL Certified
Candelabra- Max 60 Watt Bulb
Edison- Max 660 Watt Bulb

MADISON SMALL COPPER PIER MOUNT

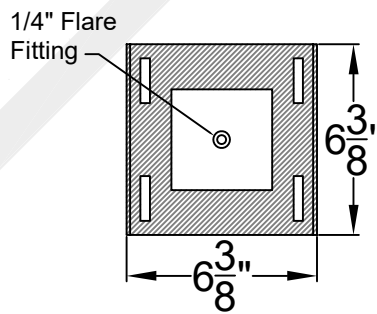


Front View

Side View



Pier Mount



Steel Insert



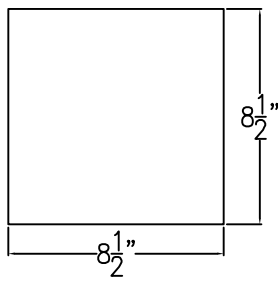
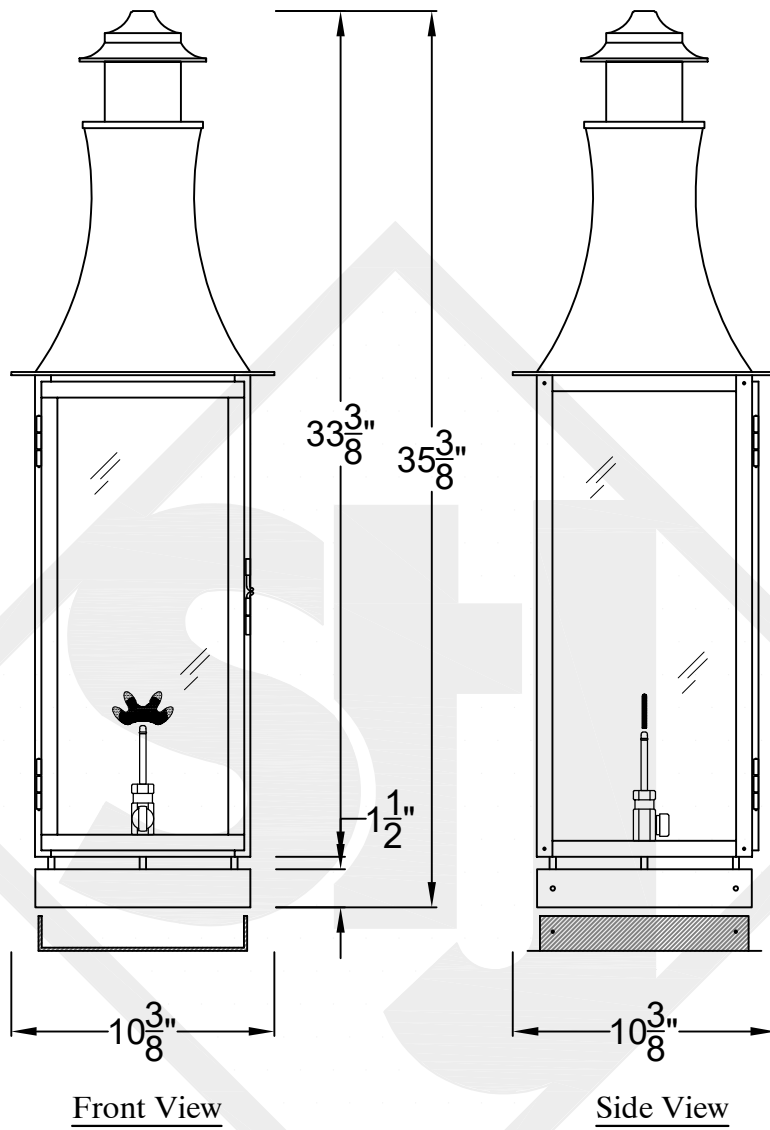
**St. James
LIGHTING**

SCALE: N.T.S.	DRAFT: Y. McCullough
FILE: MADS	APP'D: J. Ragan
JOB: X	DATE: 11/12/24

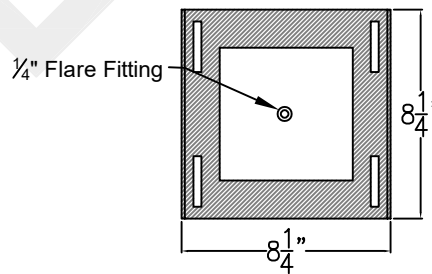
Lights are handcrafted.
Dimensions may vary by 1/4"

B.T.U. Rating
Natural Gas: 2730 B.T.U.
Propane: 2080 B.T.U.

MADISON MEDIUM COPPER PIER MOUNT



Pier Mount



Steel Insert



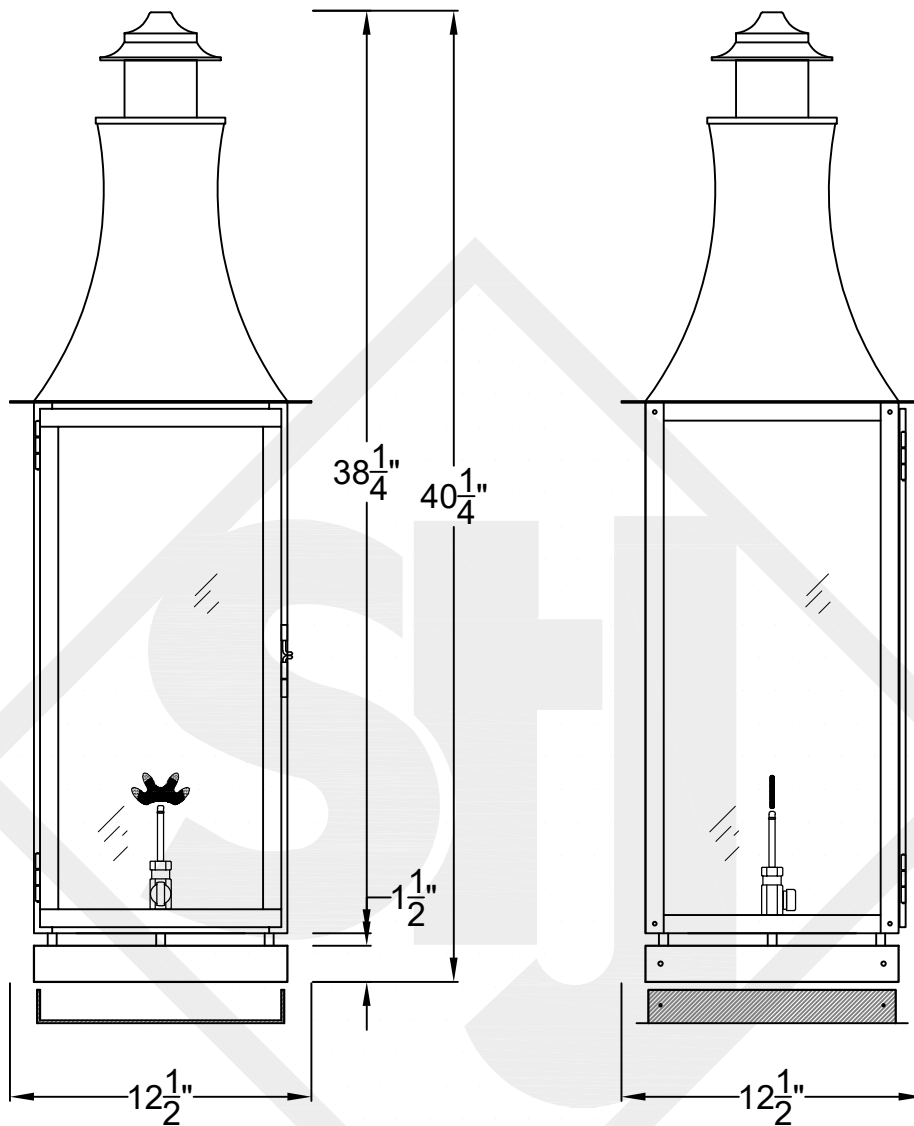
St. James
LIGHTING

SCALE: N.T.S.	DRAFT: Y. McCullough
FILE: MADM	APP'D: J. Ragan
JOB: X	DATE: 11/12/24

Lights are handcrafted.
Dimensions may vary by 1/4"

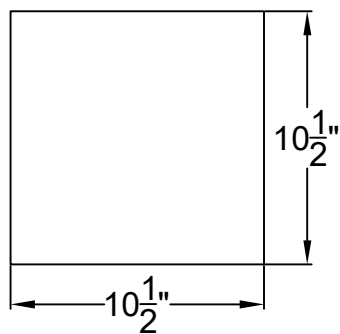
B.T.U. Rating
Natural Gas: 2730 B.T.U.
Propane: 2080 B.T.U.

MADISON LARGE COPPER PIER MOUNT

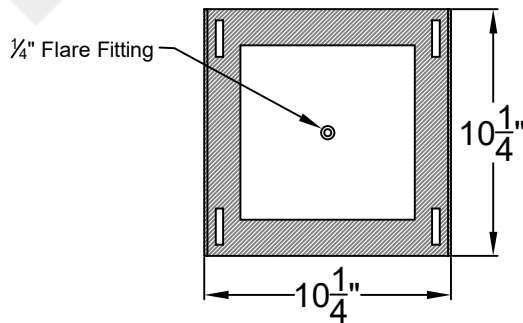


Front View

Side View



Pier Mount



Steel Insert



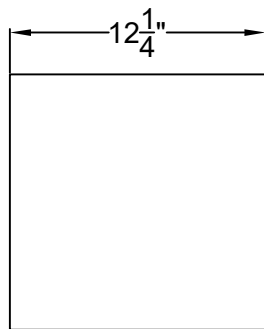
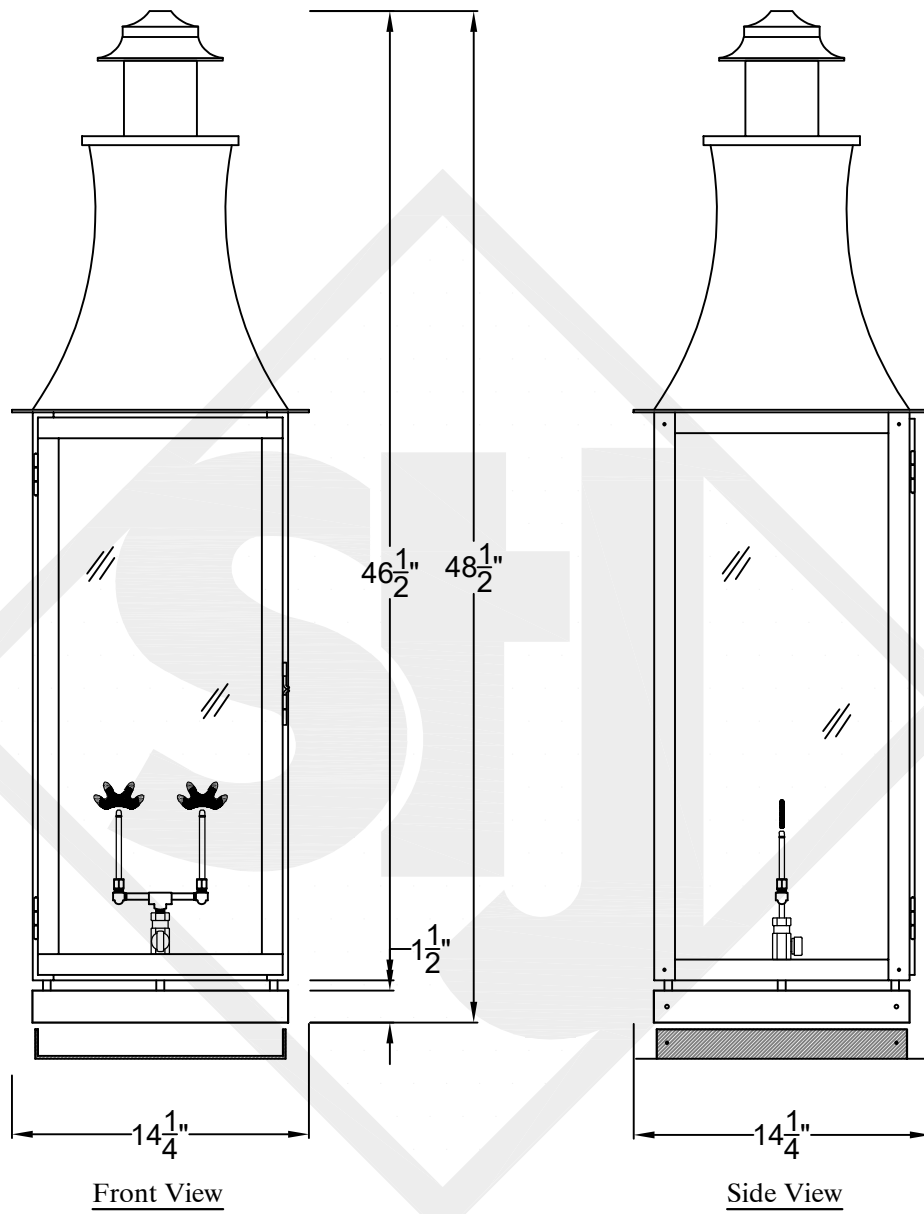
**St. James
LIGHTING**

SCALE: N.T.S.	DRAFT: Y. McCullough
FILE: MADL	APP'D: J. Ragan
JOB: X	DATE: 11/12/24

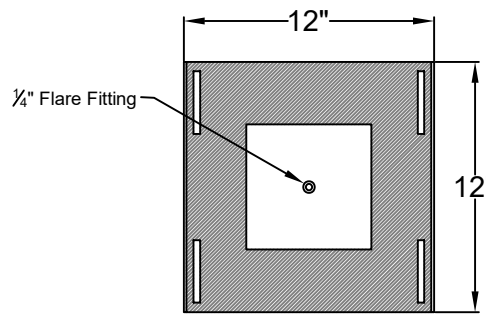
Lights are handcrafted.
Dimensions may vary by 1/4"

B.T.U. Rating
Natural Gas: 2730 B.T.U.
Propane: 2080 B.T.U.

MADISON GRANDE COPPER PIER MOUNT



Pier Mount



Steel Insert



**St. James
LIGHTING**

SCALE: N.T.S.	DRAFT: Y. McCullough
FILE: MADG	APP'D: J. Ragan
JOB: X	DATE: 11/12/24

Lights are handcrafted.
Dimensions may vary by 1/4"

B.T.U. Rating
Natural Gas: 5460 B.T.U.
Propane: 4160 B.T.U.