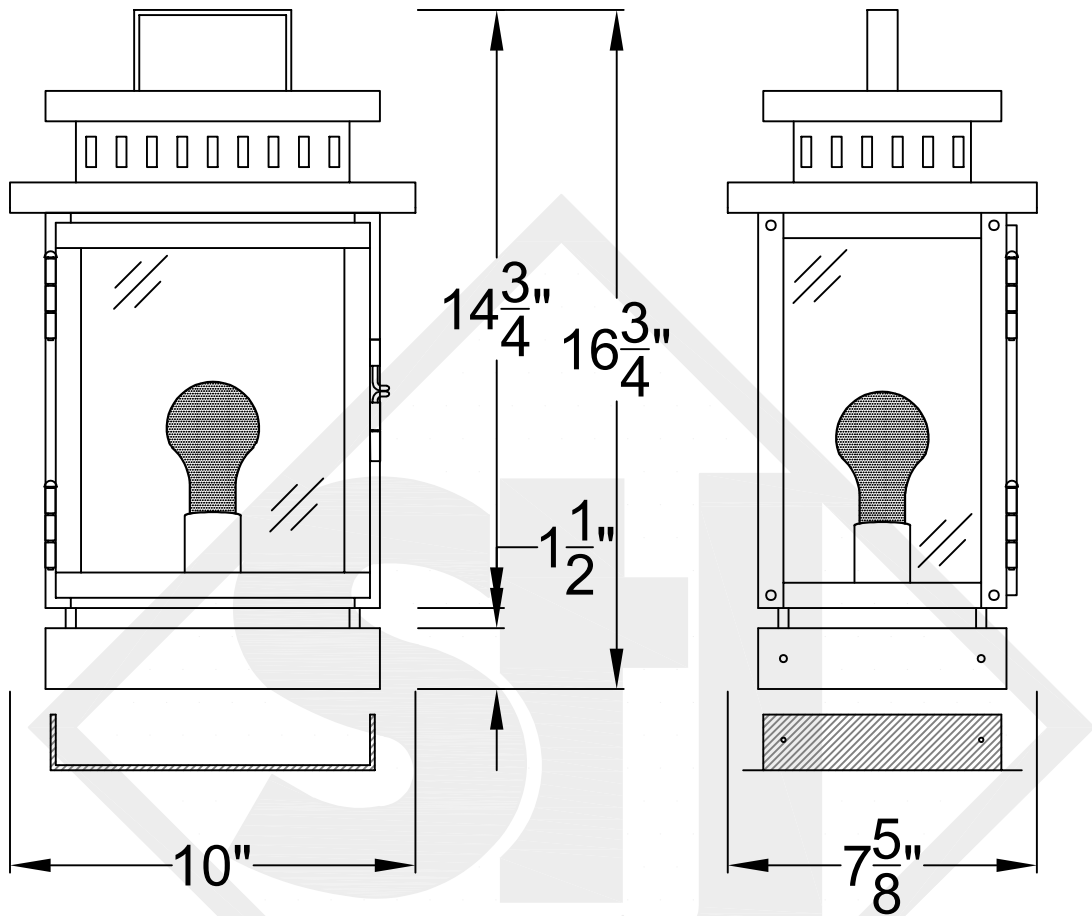
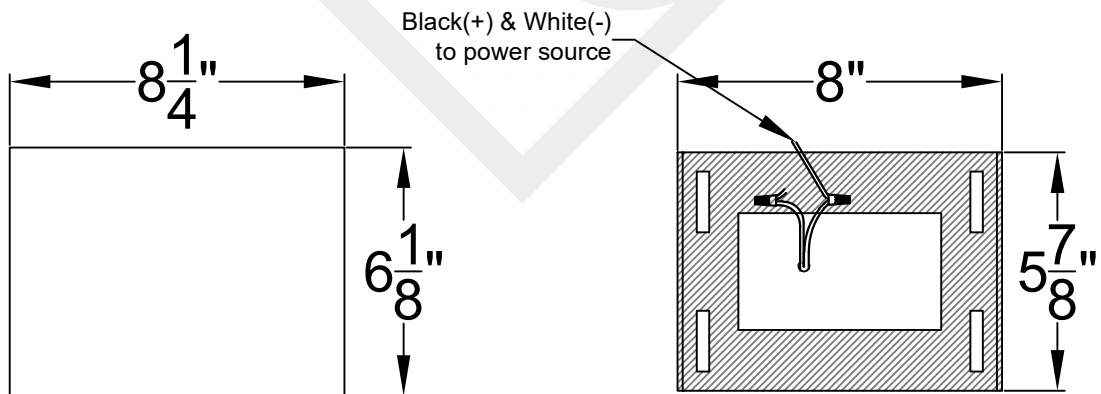


# HARPER MINI COPPER PIER MOUNT



Front View

Side View



Pier Mount

Steel Insert



St. James  
LIGHTING

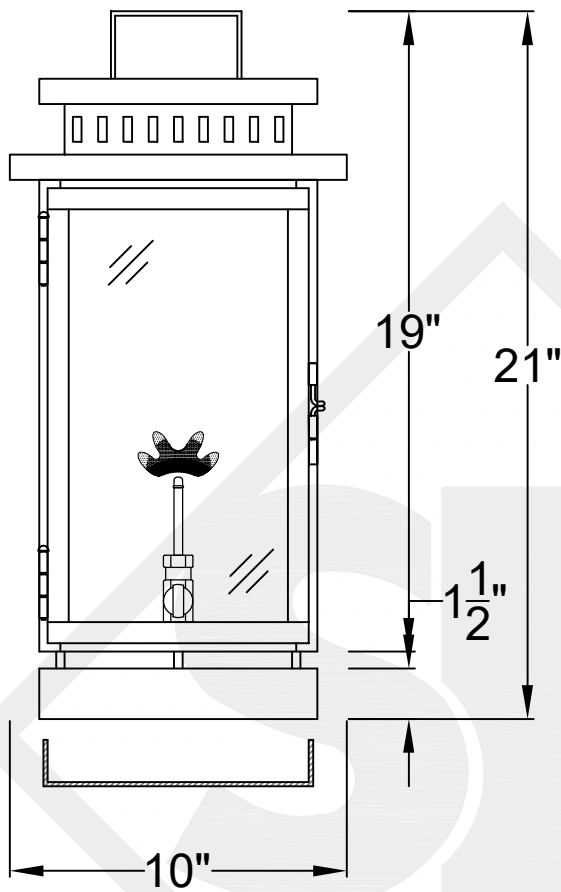
SCALE: N.T.S.      DRAFT: Y. McCullough  
FILE: HARMINI      APP'D: J. Ragan  
JOB: X              DATE: 11/14/24

Lights are handcrafted.  
Dimensions may vary by 1/4"

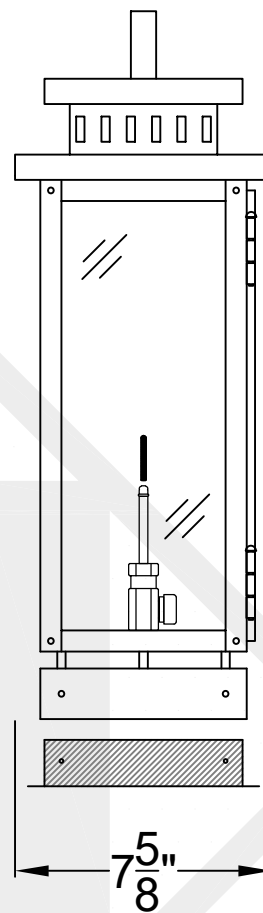
UL Certified  
Candelabra- Max 60 Watt Bulb  
Edison- Max 660 Watt Bulb

Mini not available in gas

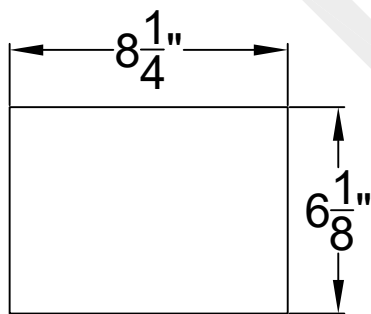
# HARPER SMALL COPPER PIER MOUNT



Front View

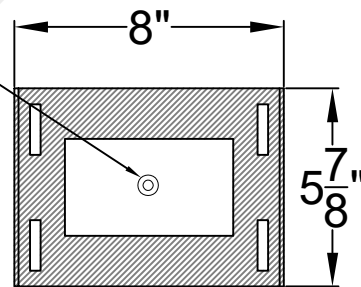


Side View



Pier Mount

1/4" Flare Fitting



Steel Insert



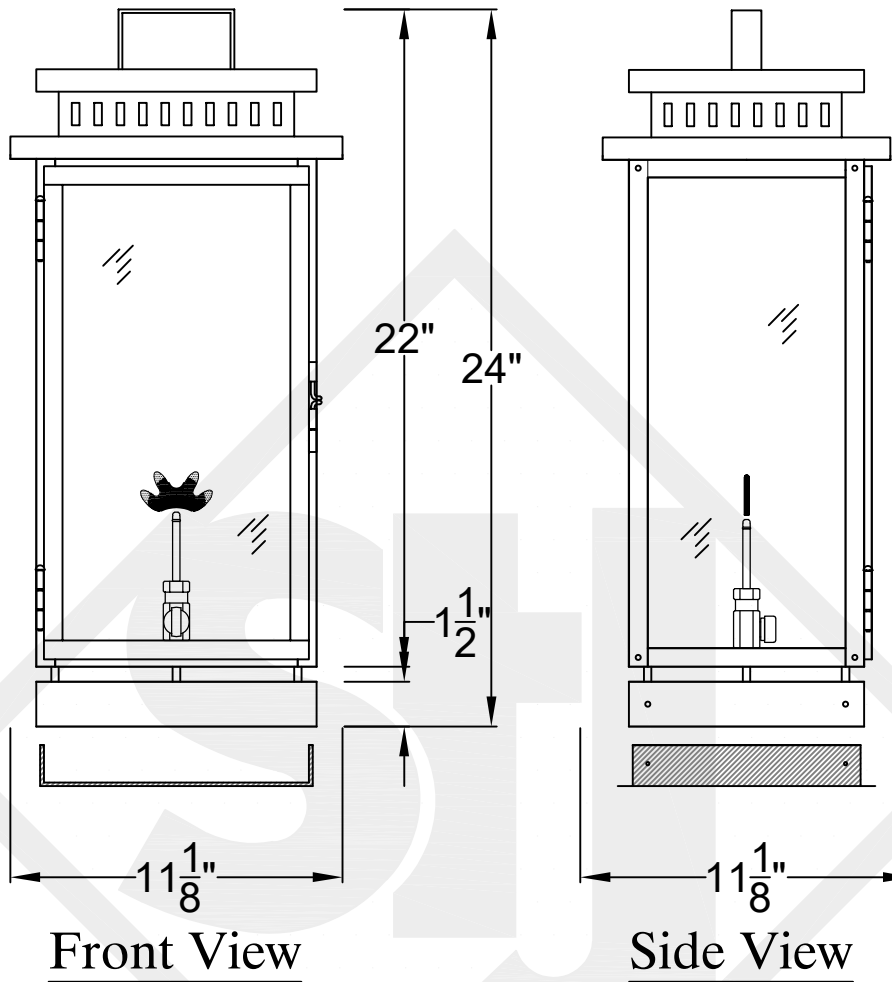
St. James  
LIGHTING

SCALE: N.T.S.	DRAFT: Y. McCullough
FILE: HARS	APP'D: J. Ragan
JOB: X	DATE: 11/14/24

Lights are handcrafted.  
Dimensions may vary by 1/4"

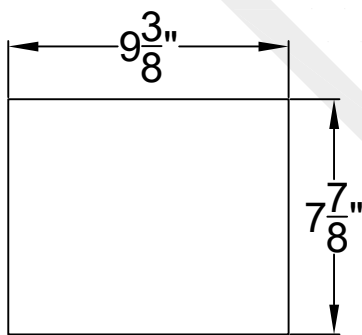
B.T.U. Rating  
Natural Gas: 2730 B.T.U.  
Propane: 2080 B.T.U.

# HARPER MEDIUM COPPER PIER MOUNT

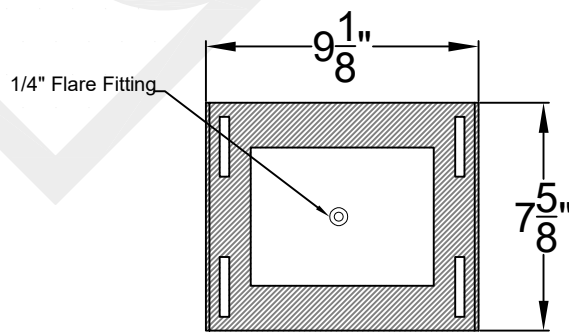


Front View

Side View



Pier Mount



Steel Insert



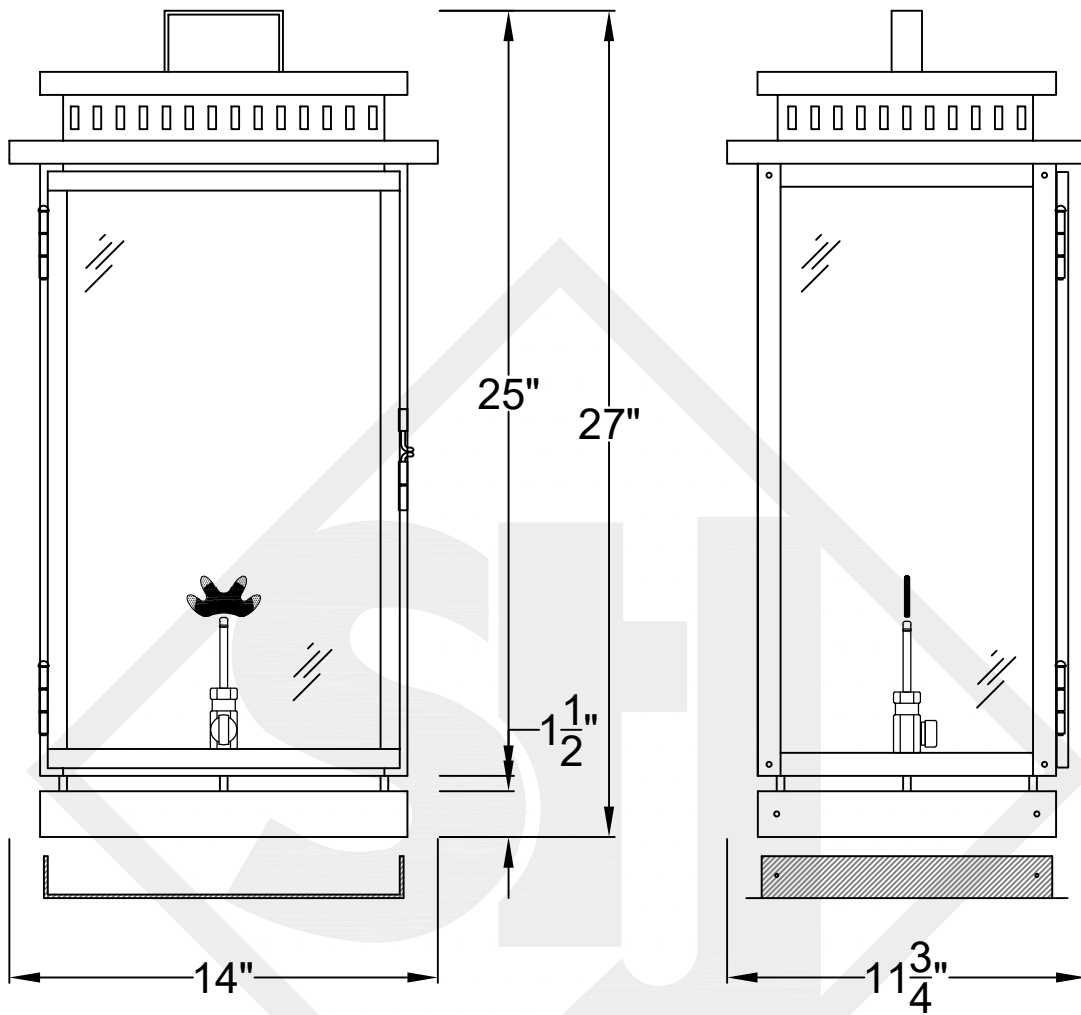
St. James  
LIGHTING

SCALE: N.T.S.	DRAFT: Y. McCullough
FILE: HARM	APP'D: J. Ragan
JOB: X	DATE: 11/14/24

Lights are handcrafted.  
Dimensions may vary by 1/4"

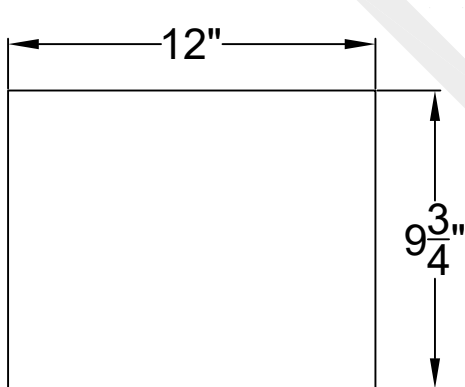
B.T.U. Rating  
Natural Gas: 2730 B.T.U.  
Propane: 2080 B.T.U.

# HARPER LARGE COPPER PIER MOUNT

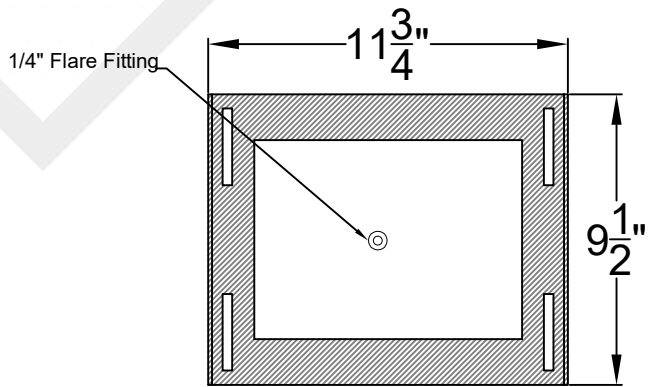


Front View

Side View



Pier Mount



Steel Insert



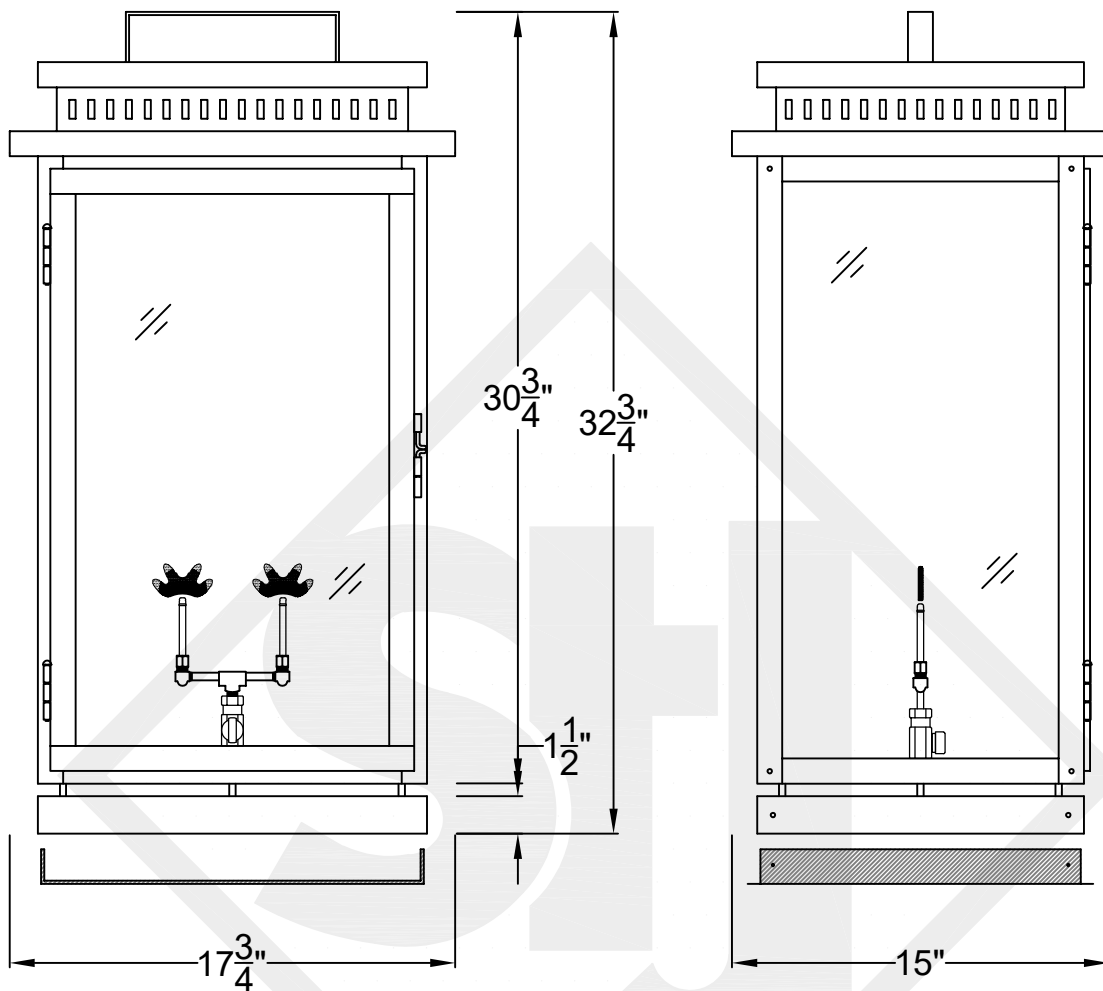
St. James  
LIGHTING

SCALE: N.T.S.	DRAFT: Y. McCullough
FILE: HARL	APP'D: J. Ragan
JOB: X	DATE: 11/14/24

Lights are handcrafted.  
Dimensions may vary by 1/4"

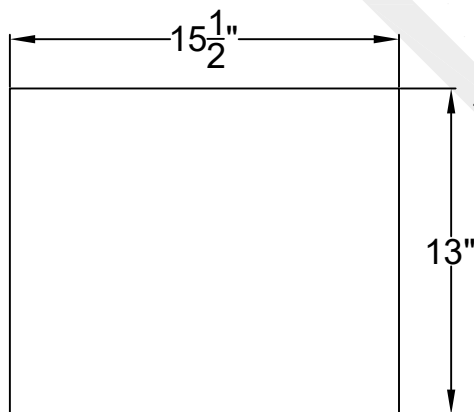
B.T.U. Rating  
Natural Gas: 2730 B.T.U.  
Propane: 2080 B.T.U.

# HARPER GRANDE COPPER PIER MOUNT

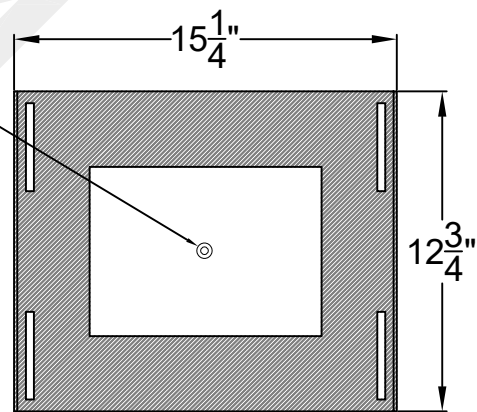


Front View

Side View



Pier Mount



Steel Insert



St. James  
LIGHTING

SCALE: N.T.S.	DRAFT: Y. McCullough
FILE: HARG	APP'D: J. Ragan
JOB: X	DATE: 11/14/24

Lights are handcrafted.  
Dimensions may vary by 1/4"

B.T.U. Rating  
Natural Gas: 5460 B.T.U.  
Propane: 4160 B.T.U.